

Tobi

9 M – 4 Y / 9-18 kg



INDEX

DOREL U.K.
Imperial Place 4
Maxwell Road
Borehamwood
Hertfordshire WD6 1JN
UNITED KINGDOM

DOREL FRANCE S.A.S.
Z.I. - 9 bd du Poitou
BP 905
49309 Cholet Cedex
FRANCE

DOREL GERMANY
Augustinusstraße 9 c
D-50226 Frechen-Königsdorf
DEUTSCHLAND

DOREL POLSKA
Ul. Legnicka 84/86
41-503 Chorzow
POLAND

DOREL BELGIUM
BITM Brussels
International Trade Mart
Atomiumsquare 1, BP 177
1020 Brussels
BELGIQUE / BELGIE

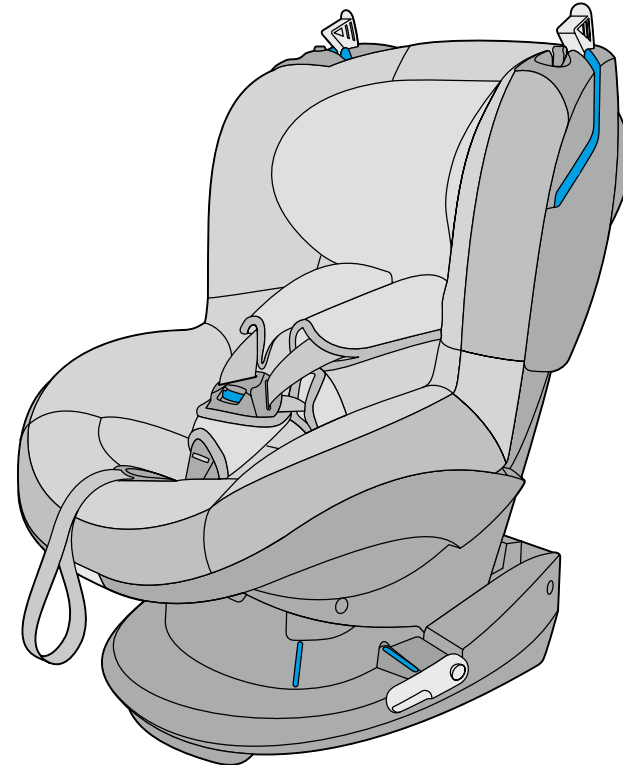
DOREL NETHERLANDS
Postbus 6071
5700 ET Helmond
NEDERLAND

DOREL HISPANIA S.A.
C/Pare Rodés n°26
Torre A 4º
Edificio Del Llac Center
08208 Sabadell (Barcelona)
ESPAÑA

DOREL ITALIA S.P.A.
a Socio Unico
Via Verdi, 14
24060 Telgate (Bergamo)
ITALIA

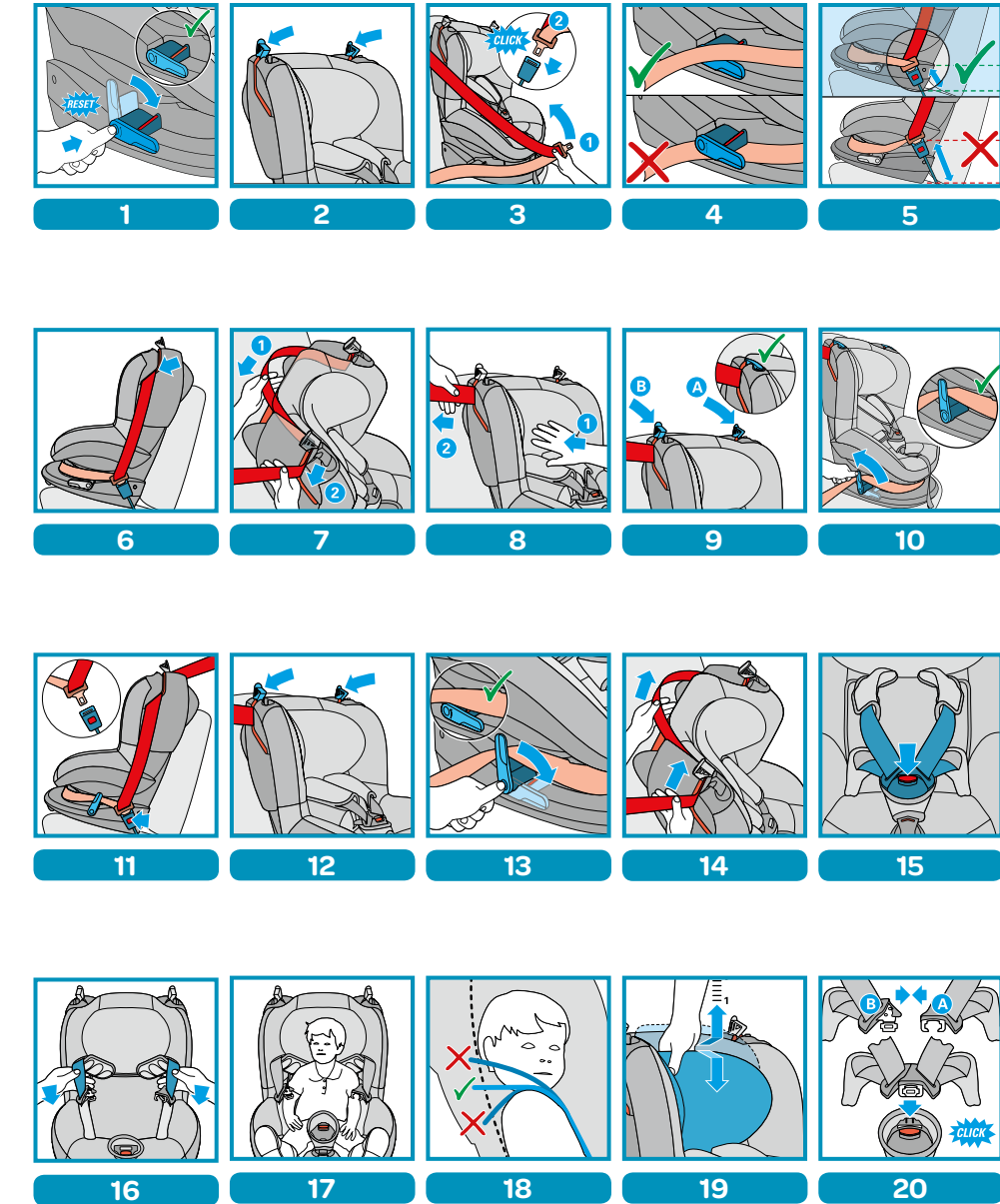
DOREL PORTUGAL
Rua Pedro Dias, 25
4480-614 Rio Mau (VDC)
PORTUGAL

DOREL SWITZERLAND S.A.
Chemin de la Colice 4
1023 Crissier
SWITZERLAND / SUISSE



DRU1000A16

EN	Instructions for use / Warranty	7 - 15
KO	사용설명서 및 품질보증 안내	16 - 24
ZH	使用说明/保修卡	25 - 33
TL	Mga tagubilin sa paggamit/Warantiya	34 - 42
VI	Hướng dẫn sử dụng/Bảo hành	43 - 51



Dear parents

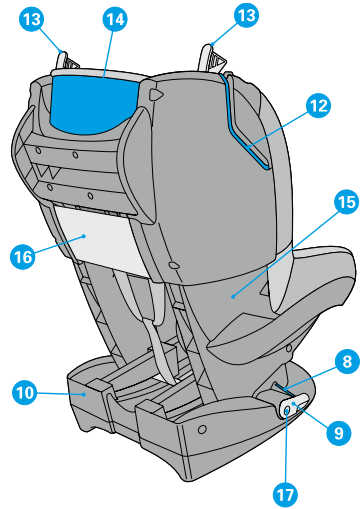
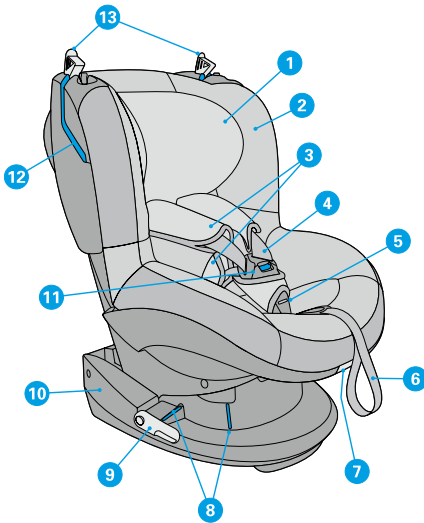
Congratulations on your purchase of the Tobi.

During the development of the Tobi, we paid special attention to safety, ease of use, comfort and design. As a result of this, this product fulfils the strictest safety requirements.

Studies have shown that a large percentage of child car seats are not used correctly. It is therefore important that you take the time to read these instructions through carefully. The optimum safety of your child is only guaranteed if the Tobi is used correctly.

Continuous research by our product development and marketing departments, both by intensive cooperation with test institutes and in consultation with consumers and customers, ensures that we remain at the forefront in the area of child safety in the car. If you have any questions or remarks concerning the use of the Tobi, we will be happy to hear from you.

Dorel (address and telephone number on the back of this instruction manual)



1. Headrest
2. Fabric cover
3. Belt pads
4. Shoulder belts - harness system
5. Belt tension indicator
6. Adjustment belt for belt system
7. Adjustment handle shell
8. Red marks for hip part of seat belt
9. Tensioner(s) for seat belt

10. Frame
11. Belt buckle
12. Red belt slot for shoulder part of seat belt
13. Belt clamp for car seat
14. Red marks back of seat belt
15. Shell
16. Storage compartment for instruction manual
17. Release button belt tensioner(s)

SPECIAL FEATURES


To reduce the likelihood of incorrect use and to improve ease of use the Tobi has the following unique features:


- A harness belt system that “springs” open itself as soon as the belt buckle is opened.
- An indicator on the belt buckle that indicates by means of colour when the belts are properly tightened.
- A belt buckle that also acts as the control button for the belt system; i.e. when the buckle is opened, the control of the shoulder belts is automatically released and the belts can be made longer. When the buckle is closed, the shoulder belts can be tightened until the indicator is “GREEN”. No further operation of buttons is required!

Contents

1.	IMPORTANT: READ FIRST!	8
2.	INSTALLATION AND REMOVAL OF THE TOBI	9
3.	PLACING YOUR CHILD IN THE TOBI	10
3.1	Using the harness system	10
3.2	Seat positions (Adjusting the seat into sitting and reclining positions)	11
3.3	Taking the child out	11
4.	MAINTENANCE	11
4.1	General	11
4.2	Fabric cover	12
4.3	Belt buckle functioning and cleaning	12
5.	GENERAL INSTRUCTIONS	13
6.	WASTE SEPARATION	14
7.	Warranty	14
8.	QUESTIONS	15

1. Important: read first!




 Please read these user instructions carefully and keep them for future reference. If these instructions are not followed, the safety of a child may be severely endangered.

 Only use original accessories and parts that have been endorsed by the manufacturer. Do not make any modifications to the product. Contact your supplier or importer if you have any complaints or problems.

	Approval according to ECE R 44/04		
	Group	Body Weight	Age
Tobi	1	9 -18 kg	Approx. 9 months – 3.5 years

2. Installation and removal of the Tobi

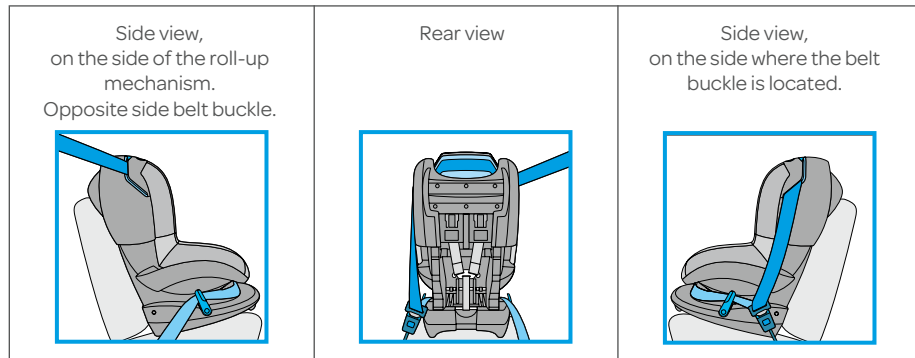
Installation with 3-point belt (follow red colour marks on product)

-  Only use the Tobi on a front-facing seat that has been provided with an automatic 3-point belt, provided it has been approved according to the ECE R16 standard or similar.
-  Correct fitting of the car seat belt is essential for the safety of your child. The car seat must be attached in the correct sequence along the red marks on the Tobi, for this see also the sticker on the side of the Tobi. Never fit the seat belt in a way other than that described!
-  Remove the headrest of the seat where the Tobi is to be used in the car if it is in the way. Do not forget to put the headrest back when the seat is used again.

A. Installation

- **NOTE!** Lock fold-down rear seats before installing the Tobi.
- **NOTE!** In some cases, the seat belts are positioned too far forward. This will make proper installation impossible. Try a different seat in this case.
- 1** • **NOTE!** Before the seat is installed, make sure that the belt tensioners are in the correct position by pressing the release button (1). The belt tensioners should be horizontal.
- 2** • **NOTE!** Make sure that both seat belt clamps are open (2).
- Place the Tobi on the car seat.
- 3** **4** • Place the seat belt for the Tobi along and over (4) the belt tensioners. Make sure that the hip belt passes under the shell, over the red belt marks (3,1).
- 3** • Click the seat belt into the belt buckle of the car (3,2).
- 5** • **NOTE!** It may be the case that the buckle part of the seat belt is so long that the buckle protrudes above the frame of the Tobi. If this is so, the Tobi cannot be secured properly. In that case, choose another position in the car (5). Moreover, it may break the buckle!
- 6** • Slide the shoulder part of the seat belt, on the side where the belt buckle of the car is also located, through the red belt slot on the backrest (6).
- 7** • Then pass the shoulder part along the red marks for the shoulder belt on the back of the Tobi (7).
- Slide this through the second red belt slot to the outside (7,2).
- 8** • Push the Tobi firmly into the car seat (8,1) while at the same time pulling the shoulder belt tight (8,2). The Tobi is now securely in place in the car. Double-check this!
- 9** • First shut the belt clamp on the belt buckle side and then that on the other side, in the direction of the roll-up mechanism (9).
- 10** • Finally, tighten the belt properly by turning the belt tensioner(s) a quarter of a turn upwards in the vertical position (10). The seat belt is now fitted more tightly!
- In many cases this will result in a kink in the hip belt. However, this does not involve any danger for your child and is part of the correct installation!
- **NOTE!** Make sure that both belt clamps on top of the seat are closed.
- **NOTE!** Make sure that the car seat belt is not twisted.

- When the seat belt has been installed properly, the various “views” will look as follows:



Checklist...

To ensure the optimum safety of the child, after installing the seat check once more that...

- the seat belt is tight and that it is not twisted,
- the hip part of the seat belt passes over the red belt marks and belt tensioner(s),
- the (diagonal) shoulder part of the seat belt is attached properly and passes through the two belt slots, along the red marks on the rear of the Tobi,
- both belt clamps are closed,
- the belt tensioner(s) is in the tensioned, vertical position,
- the entire Tobi is installed securely and firmly in the car.

B. Removing the Tobi

- Open the belt buckle of the seat belt (11).
- Next, open both belt clamps (12).
- Release the belt tensioner by pressing the button (13). The belt tensioner will now move down, into the horizontal position.
- Remove the seat belt from the belt slots (14).
- Take the Tobi out of the car.

3. Placing your child in the Tobi

3.1 Using the harness system

A. Adjusting the height of the harness

Before placing the child in the Tobi and locking the harness belt, first determine the correct height of the shoulder belts and headrest.

- Open the belt buckle (15) by pressing the red button of the belt buckle.
- The shoulder belts are now automatically released and can be made longer without pressing any other buttons.
- Loosen the shoulder belts by pulling them forwards as far as possible (16).
- **NOTE!** Do not pull on the belt pads when doing so.
- Place the child with his/her back straight in the Tobi and check the belt height (17).
- **NOTE!** The height of the shoulder belts is correct when the belt disappears into the shell slightly above your child's shoulders (18).
- Adjust the height of the shoulder belts in combination with and by means of the headrest.
- To move the shoulder belts and headrest to the required height, move the headrest by the handle on the top at the same time forwards and up or down (19). The shoulder belts including headrest can be set to 6 different heights.

B. Placing the child in the Tobi

- Place the child with his/her back straight in the Tobi.
- Slide the buckle sections together (part A on part B) and insert them into the belt buckle with a clearly audible “click” (20). When the buckle is closed, the belt system is blocked and can only be pulled tighter. If you need to make the belts longer, the buckle must first be opened again.
- Now pull the harness system tight by pulling on the adjustment belt (21,2). Pull until the indicator on the belt buckle turns green (21,2). If this is still silver the belt should be pulled tighter (22). Make sure that the indicator is green before driving. If it seems like the harness belt is still loose even though the indicator is on green, the belt can be pulled more tightly. This will ensure optimum safety. While driving, it is possible that the indicator reverts back to silver as a result of the child's movements. This is normal and will not affect the child's safety.
- **NOTE!** The tighter the belts fit around a child, the better the protection.
- **NOTE!** Make sure the textured (anti-slip) side of the belt pads are positioned properly on your child's shoulders/chest.
- **NOTE!** Make sure the belts are not twisted or folded double.



Always use the belt pads, as they are essential for your child's safety.



Tell the child never to play with the belt buckle.

3.2 Seat positions (Adjusting the seat into sitting and reclining positions)

The Tobi can be set in 5 positions.

- Pull the positioning handle under the front of the seat upwards and then pull or push the seat forwards or backwards (23).
- Release the positioning handle in the desired position and push until you hear a “click”.
- **NOTE!** Check to make sure the Tobi is securely locked in the desired position by pulling on it.

Checklist...

To ensure the optimal safety of the child, check before every trip to make sure that ...

- the entire Tobi is installed securely and firmly in the car,
- the height of the shoulder belts is suitable for your child,
- the belts are not twisted,
- the textured (anti-slip) side of the belt pads is positioned properly on your child's shoulders/chest,
- the child is secure in the belts, the belt buckle is shut and the indicator is on green,
- the tether on the Tobi is not damaged. If it is damaged, do not use the Tobi in any circumstances and contact your retailer or importer immediately.

3.3 Taking the child out

- Place the Tobi in the sitting position (also see section 3.2 Seat positions).
- Open the belt buckle by pressing the red button of the buckle (24).
- Loosen the shoulder belts by pulling them forwards as far as possible (25).
- Take the child out of the Tobi.

4. Maintenance

4.1 General

- **NOTE!** Perform these actions only while the Tobi is outside of the car.
- Use lukewarm water, soap and a cloth to clean the plastic parts of the seat. Do not use any aggressive cleaning agents.
- The fabric parts can be cleaned according to the instructions on the washing label; hand washing in luke-warm water and a mild detergent.
- **NOTE!** Never use lubricants – not even for the moving parts of the Tobi.

4.2 Fabric cover

Removing the cover

- 24 25 • Open the belt buckle. Loosen the shoulder belts by pulling them forwards as far as possible (24, 25). Unhook the elastic loops from the hooks on both sides of the positioning handle.
- 26 27 • Remove the elastic edge of the cover from the edges of the shell and then carefully loosen the cover at the front (26, 27).
- Remove the belt buckle pad by pulling it carefully over the belt buckle sideways at an angle. Pass the cover over the belt buckle (from back to front).
- 28 • Loosen the cover from the side points on both sides of the shell (28).
- 29 • Loosen the back flap of the cover and fold it forwards (29).
- 30 • Remove the cover carefully from the sides (30).
- 31 • Loosen the cover behind the belt clamps. The cover has been pushed behind the belt clamps here (31,1)
- 31 • Now pull the cover carefully over the headrest (31,2).
- Remove the cover.
- 32 • Remove the belt pads of the shoulder belts by loosening the Velcro and the poppers on the outside (32).
- 33 • Remove the belt behind the flap with the Velcro (33).
- 34 • Slide the hook clasp out of the loop of the belt pad (34).
- 35 • Remove the belt pad from the spring (35).
- Do this with both belt pads.
- Repeat the above, with the exception of the clasp, for the two hip belt pads. The hip belt pads are attached to the belt with Velcro.
- 36 • Remove the headrest cover by removing the two elastic bands from the bottom flap under the plastic part (36,1).
- Loosen the headrest cover on one side under a point and remove the cover carefully on this side of the headrest.
- Carefully loosen the headrest cover at the edge under the handle at the top of the headrest.
- 36 • Now remove the headrest cover carefully (36,2).

Cleaning the cover

- Wash the cover and belt pads by hand (maximum of 30°C). Do not use a drier. Also see the care instructions on the cover.

Tip: It is wise to buy an extra cover when purchasing the Tobi so that you can continue to use it even when the cover is being washed and dried.

Reattaching the cover

- Repeat the above steps in the reverse order!
- **NOTE!** First attach the 4 belt pads and the headrest cover before reattaching the cover.
- Slide the cover well into the cover edges of the shell all over.
- Check that the cover is tight fitting all over and secured properly.

4.3 Belt buckle and belt adjustment system functioning and cleaning

The proper functioning of the belt buckle and belt adjustment system is very important for the safety of the child. The most common reason that the buckle and/or belt adjustment system does not function properly is because it is dirty (from dust, grime, food particles, etc.). Make sure that the belt buckle stays clean by vacuuming out all dirt. If the belt adjustment system is not functioning properly, contact your supplier or importer immediately (see back of instruction manual for contact details). Do not use the Tobi under any circumstances!

The following is a list of possible causes of function failure and possible solutions.

A. Malfunction to the belt buckle

- When opening the belt buckle, the buckle sections are released slowly.
- The belt buckle can only be opened with considerable force.
- It is difficult to click the buckle sections into the buckle (too much resistance).
- The buckle will no longer close, the buckle sections will not go together.
- There is no "click" sound when closing the buckle.

B. Solving any problems

- Check the buckle for any dirt and if necessary clean by knocking the dirt out, rinsing, blowing clean or vacuuming with a vacuum cleaner, for example.
- **NOTE!** Never use lubricants!

If you are unable to close the belt buckle or if you are unsure whether you have solved the problem correctly, contact your retailer or importer immediately (see back of instruction manual). Under no circumstances should the Tobi be used.

5. General instructions

Always pay attention to the following...

- Always use the seat, even on short trips close to home, as this is when most accidents occur.
- Only use the Tobi in a car and not at home. Car seats are not designed for home use.
- The Tobi may be used in the front seat and in the back seat. Even if the car is equipped with an airbag! However, we recommend installing it on the back seat. If this is not possible, make sure that, if installing on a front seat equipped with an airbag, the seat is in the rearmost position. See the car manual, as more and more cars have the possibility to easily switch off the airbag.
- The seat must always be secured with the seat belt, even when not in use. A loose seat could injure other passengers in an emergency stop.
- Make sure that the Tobi is not jammed or wedged by heavy luggage, adjustable seats or closing doors.
- Never use the Tobi without the cover. Do not replace the cover by a cover other than the original as the cover forms part of the total safety of the seat.
- Always cover up the Tobi when the car is parked in the full sun; plastic and metal parts may become extremely hot, this can cause burns and may discolour the cover unnecessarily.
- To avoid damage to the fabric, do not remove the logos, etc. on the cover.
- Make sure that there is no baggage or other loose objects (for example on the rear shelf) in the car. In an emergency stop or crash these become dangerous projectiles!
- When making long journeys, make sure to take frequent breaks in order to give your child some room to move.
- Never leave your child alone in the car unattended.
- Keep the user instructions for future reference in the appropriate place at the back of the Tobi.
- The Tobi is developed for an intensive use of approximately 10 years.
- We advise to check the expanded polystyrene (EPS) parts regularly for damages.
- Do not use second-hand products whose history is unknown. Some parts could be broken, torn or missing.
- The user should not make any modifications to the car seat or the belts. Also labels or warnings, etc. that form part of the seat should not be removed in any circumstances!
- Replace the Tobi when it has been subject of violent stresses in an accident: the safety of your child can no longer be guaranteed.
- The manufacturer knows that car seats may cause impressions in car upholstery or car seat belts. These cannot be avoided, since the safety standards demand powerful and firm fastening methods. That is why the manufacturer cannot be held liable for any damage as a result of these.

And of course ...

- Always set a good example and wear your own safety belts!

6. Waste separation

To ensure optimum and safe use of car safety seats, they should not be used for longer than 5 years after the date of purchase. Ageing of the plastic, for instance under the influence of sunlight (UV), may quite unnoticeably reduce the qualities of the product.

Once the child has grown out of the seat, we therefore advise you to no longer use the car seat and to dispose of it in the proper way.

As we care for the environment we request the user to separate the waste produced at the start (packaging) and end (product parts) of the life of the Tobi.



Make sure to keep plastic wrapping material out of reach of your child in order to avoid the risk of suffocation.

Packaging	Cardboard box	Paper waste
	Plastic bag	Residual waste
Product parts	Fabric cover	Residual waste
	Plastic parts	In accordance with the typification of the appropriate container
	Metal parts	Container for metal
	Tether	Container for polyester
	Belt buckle	Residual waste

7. Warranty

Our 24 months warranty reflects our confidence in the high quality of our design, engineering, production and product performance. We confirm that this product was manufactured in accordance with the current European safety requirements and quality standards which are applicable to this product, and that this product is free from defects on materials and workmanship at the time of purchase. Under the conditions mentioned herein, this warranty may be invoked by consumers in the countries where this product has been sold by a subsidiary of the Dorel Group or by an authorized dealer or retailer.

Our 24 months warranty covers all manufacturing defects in materials and workmanship when used in normal conditions and in accordance with our user manual for a period of 24 months from the date of the original retail purchase by the first end-user customer. To request repairs or spare parts under our warranty for defects in materials and workmanship you must present your proof of purchase, made within the 24 months preceding the service request.

Our 24 months warranty does not apply to defects caused by normal wear and tear, damage caused by accidents, abusive use, negligence, fire, liquid contact or other external cause, damage which is the consequence of failing to comply with the user manual, damage caused by use with another product, damage caused by service by anyone who is not authorized by us, or if the product is stolen or if any label or identification number has been removed from the product or has been changed. Examples of normal wear and tear include wheels and fabric worn down by regular use and the natural breakdown of colors and materials due to normal aging of the product.

What to do in case of defects:

Should problems or defects arise, your first point of contact is the authorized dealer or retailer recognized by us. Our 24 months warranty is recognized by them⁽¹⁾. You must present your proof of purchase, made within the 24 months preceding the service request. It is easiest if you get your service request pre-approved by us. If you submit a valid claim under this warranty, we may request that you return your product to the authorized dealer or retailer recognized by us or that you ship the product to us in accordance with our instructions. We will pay for shipment and for return freight if all instructions are

followed. Damage and/or defects neither covered by our warranty nor by the legal rights of the consumer and/or damage and/or defects with respect to products that are not covered by our warranty can be handled at a reasonable fee.

Rights of the consumer:

A consumer has legal rights pursuant to applicable consumer legislation, which may vary from country to country. The rights of the consumer under applicable national legislation are not affected by this warranty.

This warranty is provided by Dorel Netherlands. We are registered in The Netherlands under company number 17060920. Our trading address is Korendijk 5, 5704 RD Helmond, The Netherlands, and our postal address is P.O. Box 6071, 5700 ET Helmond, The Netherlands.

The names and address details of other subsidiaries of the Dorel group can be found on the last page of this manual and on our website for the brand concerned.

(1) Products purchased from retailers or dealers that remove or change labels or identification numbers are considered unauthorized. Products purchased from unauthorized retailers are also considered unauthorized. No warranty applies to these products since the authenticity of these products cannot be ascertained.

8. Questions

If you have any questions, contact your local Maxi-Cosi retailer (see www.maxi-cosi.com for contact information). Make sure you have the following information at hand:

- Serial number at the bottom of the orange/white ECE sticker (at the back of the Tobi).
- Make, type and construction of the car and the seat on which the Tobi is used.
- Age (length) and weight of your child.

Dear parents

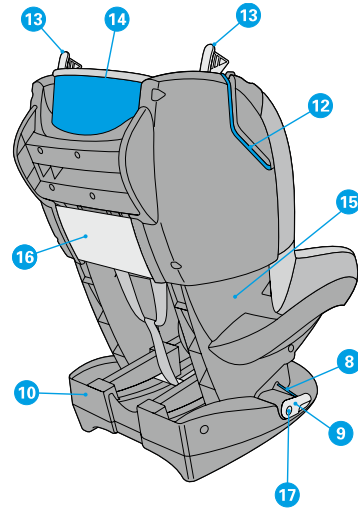
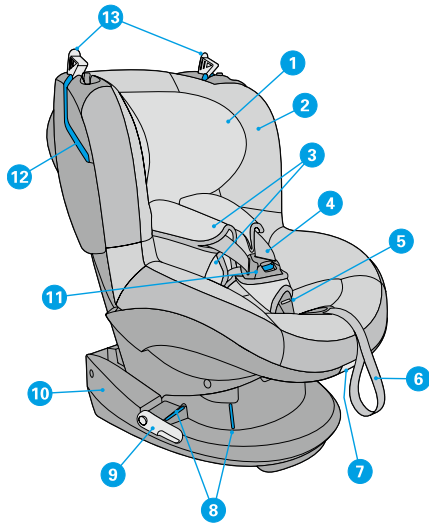
맥시코시 토비 카시트를 구입해주셔서 감사 드립니다.

안전성, 안락함, 디자인 그리고 사용의 편의성이 맥시코시 토비 카시트의 개발 중심이 되었습니다. 본 제품은 가장 엄격한 안전기준을 따르고 있습니다.

조사에 따르면 상당비율의 카시트가 올바르게 장착되지 않고 있음을 알 수 있습니다. 자녀의 안전을 위해 사용설명서를 주의 깊게 읽어주시고 지시에 따라 올바른 장착을 하시기 바랍니다.

국제공인기관과 공동 진행되는 소비자 중심의 품질 테스트와 지속적인 연구개발은 맥시코시가 어린이 안전 분야의 최고권위 브랜드로 인정받는 바탕이 되었습니다. 제품 사용 중 궁금한 사항이나 의견 있으실 경우 연락 주시기 바랍니다.

도렐



- 1. 헤드레스트
- 2. 시트커버
- 3. 벨트패드
- 4. 어깨 벨트
- 5. 벨트 인디케이터
- 6. 길이조정벨트
- 7. 각도조정핸들
- 8. 벨트장착레드마크
- 9. 벨트텐서너

- 10. 프레임
- 11. 벨트버클
- 12. 상단고정슬롯
- 13. 벨트클램프
- 14. 시트고정레드마크
- 15. 쉘
- 16. 사용설명서 수납공간
- 17. 벨트텐서너 릴리즈버튼

SPECIAL FEATURES

올바른 장착과 편리한 사용을 위해 맥시코시 토비는 아래와 같은 특별한 기능이 있습니다:

- 벨트버클 해제와 동시에 자동으로 펼쳐지는 벨트시스템.
- 벨트의 올바른 착용 여부를 색깔로 표시하는 벨트인디케이터.
- 벨트시스템 제어역할의 벨트버클 : 벨트버클 해제 후 어깨벨트의 길이 조절이 자유로우며 벨트버클 장착 시 어깨벨트를 “녹색” 표시가 나타날 때까지 조일 수 있습니다. 그 외 추가적인 버튼 조작이 필요하지 않습니다.

Contents

1.	IMPORTANT: 먼저 읽어주세요!	17
2.	맥시코시 토비 장착 및 분리	18
3.	맥시코시 토비 아이 태우기	20
3.1	안전벨트의 사용	20
3.2	시트의 조정 (각도조정)	20
3.3	아이 내리기	21
4.	유지관리	21
4.1	일반사항	21
4.2	시트커버	21
4.3	벨트버클 기능 및 청소	22
5.	주의사항	22
6.	분리배출	23
7.	카시트(다음단계)	23
8.	품질보증	24

1. Important: 먼저 읽어주세요!



앞으로의 사용을 위한 참고로 본 사용설명서를 주의 깊게 읽고 보관해 주십시오. 본 사용설명서의 내용에 따르지 않을 경우 아이의 안전에 큰 위험이 따를 수 있습니다.



도렐 (DOREL)를 통해 승인된 부품 및 액세서리를 사용하십시오. 본 제품의 임의적인 개조 및 구조변경은 금지사항이며 피해에 대한 보상을 받을 수 없습니다. 만약 제품에 이상이 있을 경우 판매처에 문의해 주십시오.

	ECE R44/04 에 의거 승인됨		
	그룹	사용체중	사용연령
맥시코시 토비	1	9-18 kg	9개월 ~ 약 4세

2. 맥시코시 토비 장착 및 분리



3점식 차량안전벨트로 장착하십시오. (제품의 레드마크에 따라)

맥시코시 토비는 ECE R16 표준 규격의 3점식 차량안전벨트로만 전방장착이 가능합니다.



아이의 안전을 위해 차량안전벨트를 올바르게 체결하십시오. 맥시코시 토비에 있는 레드마크를 따라 올바르게 장착되어야 하며, 이를 위해 맥시코시 토비의 측면에 있는 스티커를 참고하십시오. **반드시 사용설명서 또는 스티커의 안내사항에 따라 장착하십시오.**



맥시코시 토비를 장착할 때는 차량좌석의 헤드레스트를 분리하십시오. 차량좌석으로 사용할 경우 헤드레스트를 반드시 장착하십시오.

A. 장착

- **NOTE!** 맥시코시 토비를 장착하기 전에 차량좌석의 등받이시트를 최대한 세워 고정시키십시오.
- **NOTE!** 몇몇 좌석의 경우 차량안전벨트의 길이가 짧을 수 있습니다. 이로 인해 설치가 어려울 수 있습니다.
- 1 • **NOTE!** 장착하기 전에 벨트텐서너의 릴리즈버튼을 눌러 올바른 위치로 조정하십시오 (1). 벨트텐서너는 수평상태로 두십시오.
- 2 • **NOTE!** 두 개의 벨트클램프 모두가 열려 있는지 확인하십시오 (2).
- 3 4 • 맥시코시 토비를 장착할 차량좌석 위에 두십시오.
- 3 4 • 맥시코시 토비의 벨트텐서너 위 방향을 따라 차량안전벨트를 위치시키십시오 (4). 허리벨트가 맥시코시 토비의 레드마크를 따라 쉘 아래로 지나가도록 하십시오 (3,1).
- 3 • 차량안전벨트를 차량벨트버클에 걸속하십시오 (3,2).
- 5 • **NOTE!** 차량벨트버클이 너무 길 경우 맥시코시 토비의 프레임과 간섭이 생길 수 있습니다. 이런 경우 맥시코시 토비를 제대로 고정시킬 수 없으므로 다른 좌석에 장착하십시오 (5). 무리하게 장착 할 경우 차량벨트버클이 파손될 수 있습니다.
- 6 • 차량벨트버클 방향에 있는 상단고정슬롯에 어깨벨트를 끼워 넣어 지나도록 하십시오 (6).
- 7 • 나머지 어깨벨트가 맥시코시 토비의 등받이시트 뒷부분에 있는 레드마크를 지나도록 하십시오 (7).
- 이후 나머지 상단고정슬롯에 어깨벨트를 끼워 넣어 나머지 벨트를 바깥쪽에 두십시오 (7,2).
- 8 • 맥시코시 토비를 차량좌석 쪽으로 밀착시키고 (8,1) 동시에 어깨벨트를 당기면 (8,2) 맥시코시 토비가 정확하게 장착됩니다. 다시 한번 주의하여 확인하십시오!
- 9 • 먼저 차량벨트버클 방향에 있는 벨트클램프를 닫고 차량안전벨트가 위쪽으로 올라가는 방향의 나머지 벨트클램프를 닫으십시오 (9).
- 10 • 마지막으로 벨트텐서너를 수직방향으로 돌려 고정시키십시오 (10). 차량안전벨트로 더욱 단단히 고정됩니다.
- 대부분 차량안전벨트의 허리벨트 부분에 틀어짐이 생길 수 있습니다. 이는 아이의 안전에 어떠한 영향도 주지 않으며 올바른 설치 과정에 나타나는 현상입니다.
- **NOTE!** 두 개의 벨트클램프가 모두 닫혔는지 확인하십시오
- **NOTE!** 차량안전벨트가 꼬이지 않고 단단하게 장착되었는지 확인하십시오.

- 차량안전벨트로 정확히 장착된 경우 다음 그림을 참조하십시오:



Checklist...

아이의 안전을 위해 아래의 내용을 확인 하십시오.

- 차량안전벨트가 꼬이지 않고 단단하게 장착되었는지.
- 차량안전벨트의 허리벨트 부분이 맥시코시 토비의 레드마크와 벨트텐서너 위쪽으로 정확히 지나가는지.
- 차량안전벨트의 어깨벨트 부분이 맥시코시 토비의 상단고정슬롯에 정확히 끼워져 통과하고 있는지.
- 두 개의 벨트클램프 모두 닫혔는지.
- 벨트텐서너에 장력이 가해진 상태에서 수직으로 되어있는지.
- 맥시코시 토비가 차량좌석에 안전하게 장착되고 단단히 고정되어 있는가의 여부.

B. 맥시코시 토비의 분리

- 11 • 차량벨트버클의 걸속 상태를 해제하십시오 (11).
- 12 • 벨트텐서너를 풀기 전 우선 두 개의 벨트클램프 모두를 여십시오 (12).
- 13 • 벨트텐서너의 릴리즈버튼을 눌러 차량안전벨트를 느슨하게 하십시오 (13). 벨트텐서너를 수평방향으로 돌리십시오.
- 14 • 상단고정슬롯에서 차량안전벨트를 빼내십시오 (14).
- 맥시코시 토비를 차에서 꺼내십시오.

3. 맥시코시 토비 아이 태우기

3.1 안전벨트의 사용

A. 안전벨트의 높이조정

맥시코시 토비에 아이를 태우기 전, 아이에 앉은키에 맞는 헤드레스트와 어깨벨트의 높이를 조정하십시오.

- 15 • 벨트버클의 붉은색 버튼을 눌러 벨트버클의 걸속을 해제하십시오 (15).
- 이 때 어깨벨트는 자동으로 풀리며 다른 조작 없이 길이조정이 가능합니다.
- 16 • 어깨벨트를 앞으로 당겨 길이를 충분히 늘려주십시오 (16).
- **NOTE!** 이때 벨트패드 부분을 당기지 않도록 주의하십시오.
- 17 • 맥시코시 토비의 등받이시트에 아이의 등을 완전히 밀착시킨 후 벨트 높이를 확인하십시오 (17).
- 18 • **NOTE!** 아이의 어깨높이와 어깨벨트의 높이가 수평일 때가 올바른 사용방법입니다 (18).
- 헤드레스트의 높이를 조정하여 어깨벨트의 높이를 조정하십시오.
- 19 • 헤드레스트를 조정하여 어깨벨트의 높이를 맞추기 위해 헤드레스트의 상단 부분을 잡고 앞으로 당김과 동시에 위아래로 조정하십시오 (19). 헤드레스트와 함께 어깨벨트는 총 6단계의 높이조정이 가능합니다.

B. 맥시코시 토비에 아이 태우기

- 20 • 맥시코시 토비의 등받이시트에 아이의 등이 밀착되도록 앉하십시오.
- 양쪽 벨트의 버클부분(A와 B)을 포개어 “딸깍” 소리가 들릴때까지 벨트버클에 밀어 넣으십시오 (20). 벨트버클이 잠기게 되면 벨트시스템이 잠김과 동시에 벨트길이를 늘릴 수 없습니다. 벨트를 늘려야 할 경우 벨트버클의 걸속을 해제하시기 바랍니다.
- 21 22 • 길이조정벨트를 당기십시오 (21,2). 벨트버클에 있는 인디케이터에 녹색이 나타날 때까지 당기십시오 (21,2). 인디케이터가 여전히 은색인 경우 벨트를 더 강하게 조여야 합니다 (22).
- **NOTE!** 벨트를 강하게 조일수록 아이는 더 안전할 수 있습니다.
- **NOTE!** 벨트패드의 안쪽면(미끄럼 방지)이 아이의 어깨와 가슴에 제대로 위치하고 있는지 확인하십시오.
- **NOTE!** 벨트가 꼬이거나 겹치지 않았는지 확인하십시오.

- ! 아이의 안전을 위해 반드시 벨트패드를 사용하십시오.
- ! 아이가 벨트버클로 장난치지 않도록 주의하십시오.
! 만약 안전벨트가 조여지지 않거나 당길 수 없을 경우, 맥시코시 토비의 사용을 즉시 중단하고 판매처에 문의하여 주십시오.

3.2 시트의 조정 (각도조정)

맥시코시 토비는 총 다섯 단계의 시트 각도조정이 가능합니다.

- 23 • 시트 정면 아래에 있는 각도조정핸들을 잡아 올린 후 시트를 앞으로 당기거나 뒤로 밀어 조정하십시오 (23).
- 원하는 각도로 시트를 조정한 후 잡고 있던 각도조정핸들을 풀고 “딸깍” 소리와 함께 더이상 각도가 조정되지 않을 때까지 시트를 움직여 주십시오.
- **NOTE!** 맥시코시 토비가 원하는 각도로 제대로 고정이 되었는지 시트를 앞뒤로 움직여 확인하시기 바랍니다.

Checklist...

안전을 위해 아이를 태우기 전 아래의 내용을 확인하십시오.

- 맥시코시 토비가 차량에 올바르게 장착되고 정확히 고정이 되어있는지.
- 어깨벨트의 높이가 아이의 어깨높이와 같은지.
- 벨트의 꼬임이 없는지.
- 벨트패드의 안쪽면(미끄럼 방지)이 아이의 어깨와 가슴에 제대로 위치하는지.
- 벨트가 정확히 체결되고 당겨져 인디케이터에 녹색표시가 나타나있는지.
- 맥시코시 토비의 벨트가 손상되지 않았는지. 만약 벨트가 손상된 경우 사용을 즉시 중단하고 판매처에 문의하여주십시오.

3.3 아이 내리기

- 24 • 맥시코시 토비의 시트각도를 완전히 일으켜 세우십시오 (3.2 시트의 조정 참고)
- 25 • 벨트버클의 붉은색 버튼을 눌러 벨트의 걸속을 해제하십시오 (24).
- 어깨벨트를 앞으로 당겨 길이를 충분히 늘려주십시오 (25).
- 맥시코시 토비에서 아이를 내리십시오.

4. 유지관리

4.1 일반사항

- **NOTE!** 맥시코시 토비를 차량에서 완전히 분리해낸 이후 아래의 내용에 따라주시기 바랍니다.
- 미지근한 물, 비누 및 헹굼을 사용하여 시트의 플라스틱 부분을 닦아주십시오. 세척용 세제는 사용하지 마십시오.
- 시트커버는 세탁라벨에 있는 내용에 따라주십시오. 미지근한 물과 중성 세제를 사용하여 손세탁이 가능합니다.
- **NOTE!** 맥시코시 토비의 동작 부분에 윤활유를 사용하지 마십시오.

4.2 시트커버 커버 분리

- 24 25 • 벨트버클의 걸속을 해제하십시오. 어깨벨트를 앞으로 당겨 길이를 충분히 늘려주십시오 (24, 25). 각도조정핸들의 양쪽에 있는 고리에서 시트고정밴드를 벗겨내십시오.
- 26 27 • 각도조정핸들 부위 쉘의 모서리에 걸쳐진 끝부분부터 커버를 서서히 벗겨 들어올려주십시오 (26, 27).
- 벨트버클에서 벨트버클패드를 벗겨내십시오. 벨트버클 위로 통과시켜 커버를 벗겨내십시오 (뒤에서 앞으로).
- 28 • 쉘의 양쪽 모서리로부터 커버를 벗겨내십시오 (28).
- 29 • 벨크로 고정된 등받이시트 커버를 벗겨 앞으로 접으십시오 (29).
- 30 • 위쪽 커버 양쪽측면부터 조심스럽게 벗겨내십시오 (30).
- 31 • 벨트클램프 뒤쪽 커버를 벗겨내십시오. 커버를 벨트클램프 뒤쪽으로 밀어 올려 벗겨내십시오(31.1).
- 31 • 헤드레스트 위쪽으로 커버를 조심스럽게 벗겨내십시오 (31.2).
- 32 • 커버를 분리하십시오.
- 32 • 어깨벨트 벨트패드의 뒤쪽 벨크로를 벗겨내어 분리하십시오 (32).
- 33 • 벨크로 플랩 뒤에 있는 벨트를 앞으로 빼내어주십시오 (33).
- 34 • 벨트패드의 상단에 있는 벨트걸쇠에서 벨트를 빼내어주십시오 (34).
- 35 • 스포프와이어에서 벨트패드를 분리하십시오 (35).
- 양쪽 모두 동일한 과정으로 분리하십시오.
- 벨트걸쇠가 없는 양쪽 허리벨트패드 또한 동일한 과정으로 분리하십시오. 허리벨트패드는 벨크로로 고정되어있습니다.
- 36 • 헤드레스트 등받이시트 아래에 있는 양쪽의 고리에서 시트고정밴드를 벗겨내십시오 (36.1).
- 36 • 헤드레스트 하단 모서리 부분부터 조심스럽게 커버를 들어올려 벗겨내십시오.
- 헤드레스트 상단 부분의 모서리 부분에서 머리 받침대 커버를 조심스럽게 벗겨내십시오.
- 36 • 헤드레스트 커버를 조심스럽게 분리하십시오 (36.2).

커버의 세탁

- 커버와 벨트패드는 손 세탁 하십시오 (물 온도 30°C 이하). 건조기를 사용하지 마십시오. 커버에 있는 세탁라벨을 반드시 확인하십시오.

TIP: 맥시코시 토비 구입 시 여분의 커버를 함께 구입하시면 세탁과 건조하는 동안에도 지속적인 사용이 가능합니다.

커버의 장착

- 커버 분리 방법의 반대순서로 진행하십시오.
- NOTE!** 커버를 장착하기 전 총 네 개의 벨트패드와 헤드레스트 커버를 우선 장착하십시오.
- 셀의 커버장착 모서리 각 부분에 커버를 주의 깊게 끼워 넣어주십시오.
- 커버가 전체적으로 제대로 장착되고 올바르게 고정되었는지 다시 한번 확인해 주시기 바랍니다.

4.3 벨트버클 기능 및 청소

아이의 안전을 위해 벨트버클의 정상적인 작동여부 확인은 매우 중요합니다. 벨트버클에 심한 오염이 발생할 경우 정상적으로 작동하지 않는 경우가 있습니다 (먼지 및 음식물로 인한 오염 등). 벨트버클이 정상적으로 작동되지 않을 경우 아래의 내용을 참고해주시기 바랍니다.

A. 문제

- 벨트버클 걸속 해제 시 풀어지는 속도가 느려질 경우.
- 벨트버클의 해제 버튼이 강한 힘으로만 작동될 경우.
- 벨트버클에 버클의 걸속이 어려울 경우(저항이 너무 큼).
- 양쪽 버클이 쉽게 포개어지지 않을 경우.
- 버클 걸속 시 “딸깍”하는 소리가 들리지 않을 경우.

B. 문제의 해결

- 버클에 이물질로 인한 오염이 있는 지 확인하고 이물질이 있을 경우 진공 청소기나 불로어를 사용하여 오염을 제거하여 주십시오.
- NOTE!** 윤활유는 절대 사용하지 마십시오.

위 내용에 따른 조치 이후에도 벨트버클의 작동이 이상하거나 안전에 대한 확신이 부족할 경우 맥시코시 토비의 사용을 즉시 중단하고 판매처에 문의하여 주십시오.

5. 주의사항

아래의 사항에 항상 주의하여 주십시오...

- 일반적으로 집 근처의 사고발생이 높기 때문에 단거리 이동 시에도 항상 카시트를 사용하십시오.
- 맥시코시 토비는 반드시 차량에서만 사용하십시오. 카시트는 집에서 사용하도록 개발된 장비가 아닙니다.
- 맥시코시 토비는 앞좌석과 뒷좌석 모두 장착이 가능합니다. 그러나 아이의 안전을 위해 뒷좌석에 장착할 것을 권장합니다.
- 전면 에어백이 설치된 차량좌석에는 맥시코시 토비를 장착하지 마십시오. 매우 위험할 수 있습니다. 또한 측면(커튼형) 에어백이 설치된 좌석에도 장착을 피해 주시기 바랍니다.
- 카시트를 사용하지 않을 경우에도 단단히 고정시키십시오. 급정거 또는 사고 시 카시트의 움직임으로 부상을 입을 수 있습니다.
- 무거운 짐을 싣거나 차량좌석의 조정 또는 차량 문을 닫을 경우 맥시코시 토비에 충격이 가해지거나 손상되지 않도록 주의하십시오.
- 절대 커버 없이 맥시코시 토비를 사용하지 마십시오. 안전을 위한 커버의 고유기능이 있으므로 정품이 아닌 다른 커버의 사용은 매우 위험할 수 있습니다.
- 차량이 직사광선에 장시간 노출될 경우 맥시코시 토비를 보조커버로 덮어주십시오. 플라스틱 및 금속부분에 매우 뜨거운 열이 발생하거나 변색이 일어날 수 있습니다.

- 커버의 로고 등을 제거하지 마십시오. 직물에 손상이 일어날 수 있습니다.
- 차량 내 짐이나 기타 물체(간이선반 등)가 있는 지 확인하십시오. 급정거 또는 사고 시 물체의 움직임으로 부상을 입을 수 있습니다!
- 장거리 여행 시 차량이동을 자주 멈춰 아이가 움직이며 휴식할 수 있도록 하십시오.
- 절대로 아이를 차에 혼자 두고 내리지 마십시오.
- 맥시코시 토비 뒤쪽의 수납공간에 사용설명서를 항상 보관하여 참고하십시오.
- 맥시코시 토비는 약 10년 동안 사용하도록 개발되었습니다.
- 발포 폴리스티렌(EPS) 부품에 손상이 있는지 정기적으로 점검할 것을 권장합니다.
- 이력을 알 수 없는 중고 제품을 사용하지 마십시오. 일부 부품이 깨졌거나, 찢어졌거나, 없앨 수 있습니다.
- 카시트 또는 벨트부분을 임의로 개조하지 마십시오. 또한 어떠한 경우에도 시트의 라벨이나 경고표시 등을 제거하지 마십시오.
- 사고로 맥시코시 토비 가 충격을 받은 경우 맥시코시 토비 를 교체하십시오. 자녀의 안전을 보증할 수 없습니다.
- 카시트 장착 이후 차량시트 및 차량안전벨트의 변형이 나타날 수 있습니다. 이는 아이의 안전을 위해 단단히 고정되어야 하는 카시트 장착으로 나타나는 일반적인 현상입니다. 카시트 장착으로 나타나는 차량 소품변형에 대한 제조사의 책임이 없음을 미리 참고하시기 바랍니다.

그리고 물론.

- 아이의 습관을 위해 부모님 또한 안전벨트를 반드시 사용하시기 바랍니다.

6. 분리배출

카시트의 안전한 사용기간 보장을 위해 구입일로부터 5년 이상 사용하지 않도록 주의하십시오. 플라스틱의 경우 자외선(UV)의 영향을 받게 되어 눈에 보이지 않는 노후현상이 나타나게 됩니다. 아이가 자라 카시트의 사용연령을 초과할 경우 사용을 중단하고 적절한 방법으로 폐기하시기 바랍니다.

환경보호를 위해 맥시코시 토비의 포장용 쓰레기를 분리해 처리할 것을 제안하고 있으며 제품수명이 다했을 경우에도 분리하여 배출하십시오.

! 질식의 위험을 예방하기 위해 포장용 비닐봉투를 아이의 손이 닿지 않는 곳에 보관하십시오.

포장재의 분리배출	종이박스	재활용 (종이류)
	비닐백	재활용 (플라스틱류)
제품의 분리배출	직물커버	일반
	플라스틱 부품	재활용 (플라스틱류)
	금속부품	재활용 (금속류)
	벨트 류	일반
	벨트버클	일반

7. 품질보증

본 24개월 보증은 당사의 설계, 엔지니어링, 생산 및 제품 성능의 우수한 품질에 대한 당사의 자부심을 반영합니다. 당사는 본 제품에 적용 가능한 현행 유럽 안전 요건 및 품질 표준에 따라 제조되었으며, 구매 시점에서 재료 및 제조 기술상의 결함이 없음을 보증합니다. 이 보증은 이 문서에 언급된 조건하에 이 제품이 DOREL 그룹의 자회사나 공인 대리점 또는 판매점에서 판매된 국가의 소비자에게 적용될 수 있습니다.

본 24개월 보증은 사용 설명서에 따라 첫 번째 최종 소비자가 소매 구매한 특정 날짜로부터 24개월의 기간 동안 정상 조건에서 사용했을 때 발생한 재료 및 제조 기술상의 모든 제조 결함에 적용됩니다. 재료 및 제조 기술상의 결함에 대한 보증에 따라 수리나 예비 부품을 요청하려면, 서비스 요청 전 24개월 이내에 작성된 구매 증빙서를 제시해야 합니다.

본 24개월 보증은 정상적인 마모 및 파열로 인한 결함, 사고, 오남용, 부주의, 화재, 액체 접촉, 기타 외부 원인으로 인한 손상, 사용 설명서를 준수하지 않아서 발생한 손상, 다른 제품과 함께 사용하여 야기된 손상, 당사의 허가를 받지 않은 자가 시행한 서비스로 인한 손상, 제품이 도난 당하거나 제품의 레이블이나 식별 번호가 제거 또는 변경된 경우에는 적용되지 않습니다. 정상적인 마모 및 파열의 예로는 정상적인 사용으로 마모된 휠 및 직물, 시간이 지남에 따라 제품이 노후화되면서 나타나는 자연적인 변색 및 재료의 변형 등이 있습니다.

결함 발생 시 취해야 할 조치:

문제 또는 결함이 발생할 경우, 빠른 서비스를 받기 위한 가장 좋은 조치는 당사에서 허가한 대리점이나 매장을 방문하는 것입니다. 본 24개월 보증은 대리점이나 매장에 의해 승인됩니다⁽¹⁾. 서비스 요청 전 24개월 이내에 작성된 구매 증빙서를 제시해야 합니다. 이는 당사에서 서비스 요청을 사전 승인 받는 경우 가장 쉽습니다. 이 보증에 해당하는 유효한 청구를 제출하는 경우, 당사에서 허가한 대리점이나 매장에 제품을 반품하거나 지침에 따라 제품을 당사로 반송할 것을 요청할 수 있습니다. 모든 지침을 준수한다면 당사에서 선적 및 반송 비용을 부담합니다. 당사의 보증이나 소비자의 법적 권리 중 어느 것으로도 처리되지 않는 손상 및/또는 결함 및/또는 당사의 보증 범위를 벗어나는 제품의 손상 및/또는 결함은 적정 수수료 지불 시 처리될 수 있습니다.

소비자의 권리:

소비자는 국가마다 다르게 적용되는 소비자 법률에 따라 법적 권리를 보유합니다. 국내법에 따른 소비자의 권리는 본 보증의 영향을 받지 않습니다.

이 보증은 Dorel Netherlands 에서 제공합니다. 당사는 회사 번호 17060920로 네덜란드에 등록되어 있습니다. 당사의 영업 주소는 Korendijk 5, 5704 RD Helmond, The Netherlands이며, 우편 주소는 P.O. Box 6071, 5700 ET Helmond, The Netherlands입니다.

Dorel 그룹의 다른 자회사들의 이름과 주소에 대한 정보는 이 매뉴얼의 마지막 페이지와 본 브랜드에 대한 당사 웹사이트에 나와 있습니다.

(1) 매장 또는 대리점에서 구입한 제품에서 라벨이나 식별 번호가 제거 또는 변경된 경우 해당 제품은 승인되지 않은 것으로 간주됩니다. 이러한 제품의 경우 진품 여부를 확인할 수 없으므로 보증이 적용되지 않습니다.

8. 주요질문

사용 관련 기타 문의 사항은 각 지역의 맥시코시 판매처 또는 (주)와이케이비앤씨 고객행복센터 (1544-9420)에 문의하십시오. 문의 전 다음의 내용을 먼저 확인하여 주십시오. 문의 전 아래에 대한 내용을 우선 준비하십시오.

- 제품 시리얼넘버 (홀로그램 스티커)
- 맥시코시 토비 장착 좌석에 대한 사양 및 차량의 종류
- 아이의 나이와 신장, 몸무게.

尊敬的父母

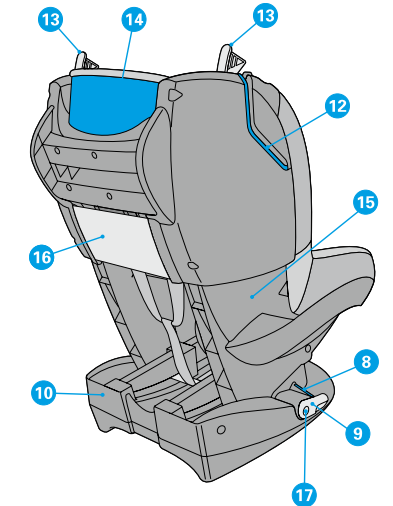
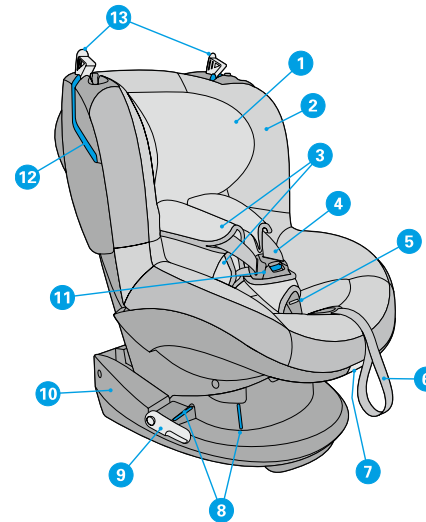
恭喜您购买了 Tobi。

在研制 Tobi 的过程中，我们特别注重它的安全性、使用方便性、舒适性以及设计。因此，本产品符合最严格的安全要求。

研究表明：有相当一部分儿童汽车安全座椅没有正确使用。因此，请务必花些时间来仔细阅读以下所有说明。只有正确使用 Tobi，才能确保为您的孩子提供最大的安全。

我们的产品研发和市场营销部门的不断研究，加之与测试机构的紧密合作以及对消费者和顾客的意见征询，确保了我们在车内儿童安全方面始终位居前列。如果您对使用 Tobi 有任何疑问或建议，我们非常愿意倾听。

Dorel (地址和电话号码印在本说明手册的背面)



1. 头靠
2. 布罩
3. 肩带护垫
4. 肩带 — 约束系统
5. 约束带松紧指示标记
6. 约束带系统的调节带
7. 调节手柄外壳
8. 座椅安全带胯带部分的红色标记
9. 座椅安全带束紧器

10. 底架
11. 约束带插扣
12. 座椅安全带肩带部分的红色带槽
13. 安全座椅的安全带夹
14. 座椅安全带背面的红色标记
15. 壳体
16. 说明手册存放格
17. 安全带束紧器的松开按钮

特殊功能


为减少使用不当的几率并提高使用方便性，Tobi 设计有以下独特功能：


- 约束带插扣只要一解开，约束带系统就会自动“弹”开。
- 约束带插扣上有指示标记，以颜色指示安全带是否适当拉紧。
- 约束带插扣还可用作约束带系统的控制按钮，即约束带插扣解开时，肩带控制会自动松开，并可被拉长。约束带插扣扣住时，可将肩带拉紧，直至指示标记变为“绿色”。无需其他按钮操作！

目录

1.	重要说明：首先阅读以下内容！	26
2.	Tobi 的安装和拆除	27
3.	将孩子放入 Tobi	28
3.1	使用约束系统	28
3.2	座椅位置（将座椅调节至坐立位置和斜躺位置）	29
3.3	抱出孩子	29
4.	保养	29
4.1	一般说明	29
4.2	布罩	30
4.3	约束带插扣的正常工作和清洁	30
5.	通用指示	31
6.	将废弃物分类	32
7.	下一阶段的儿童汽车安全座椅	32
8.	保修	33

1. 重要说明：首先阅读以下内容！

 请仔细阅读以下使用说明，并妥善保存以备日后查看。如未遵守以下说明，可能会严重危及儿童安全。

 仅可使用制造商认可的原装零配件。切勿改装本产品。如有任何投诉或问题，请联系您的供应商或进口商。

经认可符合 ECE R44/04			
	组	儿童体重	年龄
Tobi	1	9-18 公斤	9 个月至 3 岁半左右

2. Tobi 的安装和拆除

使用 3 点式安全带固定（沿着产品上的红色标记）



仅可在经认可符合 ECE R16 标准或其他类似标准、配有 3 点式自动安全带且正面朝前的座椅上使用 Tobi。



正确固定汽车座椅安全带对您孩子的安全至关重要。必须按照正确顺序沿着 Tobi 上的红色标记，将汽车座椅安全带固定在 Tobi 上。另请参阅 Tobi 侧面的标签了解详细信息。
切勿不按照说明固定座椅安全带！

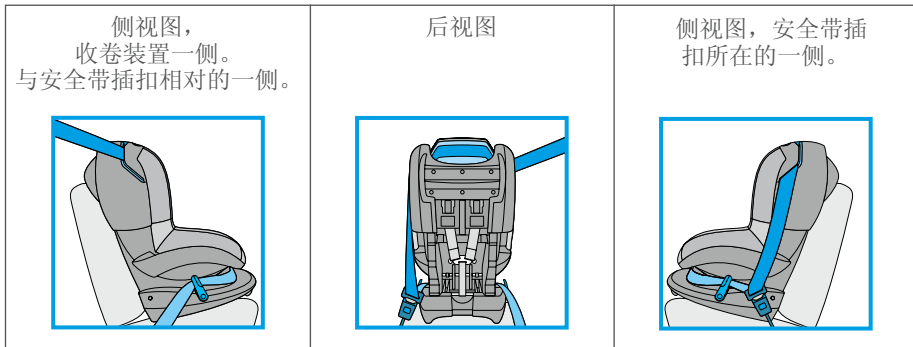


如果座椅头靠妨碍在车内安放 Tobi，则拆下座椅头靠。重新使用座椅时，记得将头靠装回原位。

A. 安装

- **注意！** 安装 Tobi 前，请先固定住折叠式后排座椅。
- **注意！** 在有些情况下，座椅安全带的位置太靠前，导致无法正确安装。此时，请另选一个座位。
- 1. • **注意！** 安放本安全座椅前，请按下放按钮以确保安全带束紧器处于正确位置（1）。安全带束紧器应处于水平位置。
- 2. • **注意！** 请确保两个座椅安全带夹均已打开（2）。
- 将 Tobi 放到汽车座椅上。
- 3 4. • 将座椅安全带从安全带束紧器的上方通过（4），以固定 Tobi。确保胯带从壳体下方和红色安全带标记上方经过（3, 1）。
- 3. • 将座椅安全带扣入汽车的安全带插扣（3, 2）。
- 5. • **注意！** 可能存在以下情况：座椅安全带的插扣部分太长，以致于插扣高出 Tobi 的底座。如果是这样，Tobi 就无法稳妥固定。在这种情况下，请选择车内的其他座位（5）。而且这样还可能损坏插扣！
- 6. • 将座椅安全带的肩带部分穿过靠背上的红色安全带槽，拉到汽车安全带插扣所在的一侧（6）。
- 7. • 然后将肩带部分沿着 Tobi 背面的肩带红色标记通过（7）。
- 7. • 将肩带经过第二个红色安全带槽并向外拉出（7, 2）。
- 8. • 推 Tobi，使其紧靠汽车座椅（8, 1），同时将肩带拉紧（8, 2）。此时，Tobi 即稳妥地安放在车内。请再检查一次！
- 9. • 按照卷收装置的方向，先将安全带插扣一侧的安全带夹夹紧，然后再夹紧另一侧的安全带夹（9）。
- 10. • 最后，将安全带束紧器向上转四分之一圈，使其呈垂直状态，以适当拉紧安全带（10）。现在，座椅安全带就固定得更紧了！
- 很多时候，这样做会导致胯带扭曲。但这样不会给您的孩子带来任何危险，属于正确安装。
- **注意！** 请确保座椅上方的两个安全带夹均已夹紧。
- **注意！** 请确保汽车座椅安全带没有扭曲。

- 座椅安全带正确固定时，各个角度的“视图”如下：



检查表...

为确保孩子的最大安全，安放好安全座椅后请再次检查...

- 座椅安全带已拉紧，并且没有扭曲；
- 座椅安全带的胯带部分从红色安全带标记处和安全带束紧器的上方穿过；
- 座椅安全带的肩带（斜跨）部分已正确固定，穿过两个安全带槽并经过 Tobi 背面的红色标记；
- 两个安全带夹均已夹紧；
- 安全带束紧器处于垂直位置、拉紧状态；
- 整个 Tobi 已稳固安放在车内。

B. 拆除 Tobi

- 11 解开座椅安全带的安全带插扣（11）。
 - 12 然后，打开两个安全带夹（12）。
 - 13 按下按钮松开安全带束紧器（13）。此时，安全带束紧器会向下移动，直至呈水平状态。
 - 14 将座椅安全带从安全带槽中取出（14）。
- 将 Tobi 拿出车外。

3. 将孩子放入 Tobi

3.1 使用约束系统

A. 调节约束带高度

将孩子放入 Tobi 并扣好约束带前，请先确定肩带和头靠的适当高度。

- 15 按下约束带插扣的红色按钮，解开约束带插扣（15）。
- 16 此时，肩带会自动松开，无需按任何其他按钮，即可将其放长。
- 16 将肩带尽量向前拉以放长（16）。
- 17 **注意！**切勿拉住安全带护垫来放长肩带。
- 17 让孩子背部挺直并将其放入 Tobi，然后检查肩带的高度（17）。
- 17 **注意！**肩带伸出的地方略高于您孩子的肩膀时，肩带高度才适当。
- 17 通过头靠来调节肩带的高度。
- 19 要将肩带和头靠移到合适的高度，请抓住头靠上方的把手，同时朝前并上下移动（19）。肩带和头靠可以设为 6 种高度。

B. 将孩子放入 Tobi

- 让孩子背部挺直并将其放入 Tobi。
- 20 将两部分插头扣到一起（A 部分扣到 B 部分上），然后将它们插入约束带插扣，此时可听到清晰的“咔嚓”声（20）。插扣一扣紧，约束带系统就锁住了，只能拉得更紧。如果您需要放长约束带，必须先解开插扣。
- 21 22 此时，拉调节带即可拉紧约束系统（21, 2）。一直拉到约束带插扣上的指示标记变成绿色（21, 2）。如果仍然指示银色，则应将调节带拉得更紧些（22）。**开车前**，请确保指示标记为绿色。如果即便在指示标记变为绿色的情况下，约束带似乎仍然很松，则可将约束带再拉紧些。这样可确保最大的安全。开车过程中，指示标记可能会因孩子的活动而变回银色。这是正常情况，并不影响孩子的安全。
- **注意！**约束带将孩子束得越紧，则保护得越好。
- **注意！**请确保肩带护垫的织纹（防滑）面恰当地放在您孩子的肩上/胸前。
- **注意！**请确保约束带未扭曲或折叠。



请务必使用肩带护垫，它们对您孩子的安全至关重要。



告诉孩子不要玩弄约束带插扣。

3.2 座椅位置（将座椅调节至坐立位置和斜躺位置）

Tobi 可设为 5 种位置。

- 23 将座椅前下方的位置手柄向上拉，然后将座椅向前拉或向后推（23）。
- 在合适的位置松开位置手柄，然后推座椅，直至听到“咔嚓”一声。
- **注意！**拉 Tobi 以进行检查，确保其牢牢固定在合适的位置。

检查表...

为确保孩子的最大安全，请在每次出行前进行检查，以确保...

- 整个 Tobi 已稳固安放在车内；
- 肩带的高度适合您的孩子；
- 安全带没有扭曲；
- 肩带护垫的织纹（防滑）面恰当地放在您孩子的肩上/胸前；
- 孩子已用约束带固定，约束带插扣已扣紧，且指示标记为绿色；
- Tobi 上的系绳未受损。如果系绳受损，在任何情况下均不得使用 Tobi，请马上联系您的零售商或进口商。

3.3 抱出孩子

- 24 将 Tobi 调到坐立位置（另请参阅 3.2 节『座椅位置』）。
- 24 按下插扣的红色按钮，解开约束带插扣（24）。
- 25 将肩带尽量向前拉以放长（25）。
- 25 从 Tobi 上抱出孩子。

4. 保养

4.1 一般说明

- **注意！**仅当 Tobi 不在车内时执行以下步骤。
- 使用温水、肥皂和软布清洁安全座椅的塑料部分。切勿使用任何强力清洁剂。
- 织物部分可遵循洗涤标签上的说明进行清洁，用温水和中性洗涤剂进行手洗。
- **注意！**切勿使用润滑剂—即使是对 Tobi 的运动部件也不得使用。



4.2 布罩

拆除布罩

- 24** **25** • 解开约束带插扣。将肩带尽量向前拉以放长 (24, 25)。松开位置手柄两侧挂钩上的松紧环。
- 26** **27** • 将布罩的松紧边从壳体的边缘取下来, 然后从正面小心地褪下布罩 (26, 27)。
- 斜着从约束带插扣的侧面小心地拉出约束带插扣的护垫, 从而将其取下。
将布罩 (从后往前) 穿过约束带插扣。
- 28** • 从壳体两侧各处松开布罩 (28)。
- 29** • 松开布罩的背板, 并向前折 (29)。
- 30** • 小心地从两侧取下布罩 (30)。
- 31** • 松开安全带夹后面的布罩。布罩已被推到安全带夹后面的这个位置 (31, 1)
- 31** • 此时将布罩小心地拉过头靠 (31, 2)。
- 取下布罩。
- 32** • 松开尼龙搭扣及外侧的按扣, 以取下肩带的护垫 (32)。
- 33** • 取下带尼龙搭扣的翻盖下面的肩带 (33)。
- 34** • 将钩扣滑出肩带护垫的钩环 (34)。
- 35** • 从弹簧上取下肩带护垫 (35)。
- 对两侧的肩带护垫均执行此步骤。
- 除钩扣步骤外, 对两个胯带护垫重复上述步骤。胯带护垫是用尼龙搭扣固定在胯带上的。
- 36** • 从底板上取下套在塑料部分下方的两条松紧带, 以摘下头靠布罩 (36, 1)。
- 先松开头靠布罩一侧的某一处, 然后小心地从头靠的这一侧取下布罩。
- 小心地松开头靠上方把手下边的头靠布罩。
- 36** • 此时, 小心地取下头靠布罩 (36, 2)。

清洁布罩

- 手洗布罩和约束带护垫 (水温不超过 30° C)。切勿使用烘干机。另请参阅布罩上的保养说明。

提示: 购买 Tobi 时, 最好多买一个布罩。这样即便一个布罩正在洗晾, 您也可以继续使用 Tobi。

重新套上布罩

- 按相反的顺序重复上述步骤!
- **注意!** 套布罩前, 请先放好 4 个约束带护垫和头靠布罩。
- 将布罩整个套在壳体上, 然后沿着各个边缘套好。
- 检查布罩是否完全套紧并且恰当地固定。

4.3 约束带插扣和约束带调节系统的正常工作和清洁

约束带插扣和约束带调节系统是否正常工作对孩子的安全至关重要。插扣和/或约束带调节系统不能正常工作的最常见原因是被 (灰尘、污垢、食物碎屑等) 弄脏了。吹尽所有脏污, 以确保约束带插扣清洁。如果约束带调节系统不能正常工作, 请马上联系您的供应商或进口商 (请参阅本说明书的背面, 以了解详细联系信息)。此时, 任何情况下均不得使用 Tobi!

下面列出了可能导致功能故障的原因和解决方案。



A. 约束带插扣故障

- 解开约束带插扣时, 两部分插头松开缓慢。
- 用力才能解开约束带插扣。
- 很难将两部分插头卡入插扣 (阻力太大)。
- 插扣不再能扣紧, 两部分插头无法合拢。
- 扣入插扣时没有“咔嚓”声。

B. 解决问题

- 检查插扣是否脏污。必要时进行清洁, 例如: 可敲出脏物、清洗、吹净或用真空吸尘器吸除脏物。
- **注意!** 切勿使用润滑剂!

如果您无法扣紧约束带插扣或不确定自己是否正确地解决了问题, 请马上联系您的经销商或进口商 (请参阅本说明书的背面)。此时, 在任何情况下均不得使用 Tobi。

5. 通用指示

务必注意以下指示:

- 始终使用本安全座椅, 即便是离家不远的短途出行也应使用, 因为事故多在这种情况下发生。
- 仅在车内使用 Tobi, 请不要在家中使用。本汽车安全座椅并非设计用于家中使用。
- Tobi 可用于前排和后排座位。即便汽车配有安全气囊, 我们也建议将 Tobi 安放在后排座位上! 如果不得不安放在配有安全气囊的前排座位上, 请确保将座椅调至最靠后的位置。请参阅汽车手册, 越来越多的汽车可以方便地关闭气囊。
- 即便在不使用本安全座椅时, 也务必用座椅安全带将其固定。未固定的座椅在紧急停车时可能会撞到其他乘员。
- 确保 Tobi 没有被重物、可调节座椅或关闭的门卡住。
- 切勿不套布罩使用 Tobi。切勿使用非原装布罩, 因为布罩也影响着本安全座椅的整体安全性。
- 汽车停在烈日下时, 务必将 Tobi 遮盖起来。因为塑料和金属部件可能被晒得很烫, 这样会导致灼伤, 并可造成不必要的布罩褪色。
- 为避免损坏布罩的面料, 请勿去除布罩上的徽标等物。
- 确保车内未放置任何行李或其他散物 (例如后架上)。在紧急停车或撞车的情况下, 这些物品会抛射出来, 造成危险!
- 长途旅行时, 确保中间休息几次, 从而给您的孩子一些活动的空间。
- **切勿**将您的孩子单独留在车内无人看管。
- 将使用说明放在 Tobi 背后的相应存放处, 以备日后查看。
- Tobi 的设计可供约 10 年的频繁使用。
- 我们建议定期检查聚苯乙烯 (EPS) 零件是否出现损坏。
- 请勿使用不明历史的二手产品。某些零件可能已破损、撕裂或丢失。
- 用户不得对本汽车安全座椅或约束带进行任何改装。此外, 在任何情况下都不得去除本安全座椅上附带的标签或警告等物。
- 如果 Tobi 在事故中受到猛烈重压, 请将其更换: 您孩子的安全无法再得到保障。
- 制造商知道: 本汽车安全座椅可能会对汽车内饰或汽车座椅安全带造成压痕。由于安全标准要求采用稳固有力的方式进行固定, 所以这些压痕无可避免。因此, 制造商不对因这些情况造成的损坏负责。

另外还要...

- 始终树立好榜样, 系好您自己的安全带!

6. 将废弃物分类

为确保汽车安全座椅的最佳安全使用，自购买之日起，使用期限不得超过 5 年。因日照（紫外线）等引起的塑料老化，可能会不知不觉地降低产品质量。孩子长到超过本汽车安全座椅时，建议您不要再使用本座椅并将其正确处理掉。我们提倡爱护环境，所以要求用户将 Tobi 投入使用时的废弃物（包装）和使用寿命终结时的废弃物（产品零部件）分开。

请确保将塑料包装材料放在您的孩子接触不到的地方，以避免发生窒息的危险。

包装	硬纸盒	废纸
	塑料袋	剩余废弃物
产品部件	布罩	剩余废弃物
	塑料部件	根据相应垃圾箱的相应分类
	金属部件	盛放金属的垃圾箱
	系绳	盛放聚酯纤维的垃圾箱
	约束带插扣	剩余废弃物

7. 保修

我們產品的 24 個月保固承諾體現了我們對設計、工程、生產和產品性能等方面絕佳品質的信心。我們保證，本產品根據產品適用的歐洲現行安全要求和品質標準製造，且購買時絕無材料和工藝缺陷問題。依據本保固條件，向該國 Dorel Group 子公司或授權的經銷商或零售商購買產品的顧客，可提出保修要求。

我們 24 個月保固承諾的範圍涵蓋在正常條件和根據使用者手冊使用情況下產生的所有材料和工藝製造缺陷問題，24 個月由第一個最終用戶於零售商處購買日起算。您必須出具在提出服務請求 24 個月內開出的購買證明，方可為保固期內的材料和工藝缺陷要求維修或更換配件。

我們 24 個月保固承諾的範圍不包括因正常磨損、意外、濫用、疏忽、著火、與液體接觸或其他外部因素所造成的損壞，亦不包括因未遵守用戶手冊說明而造成的損壞、因與其它產品共用所造成的損壞、因交由其它非我公司授權人員進行維修服務所造成的損壞，產品遭竊或產品上的標牌或識別號碼被移除時，亦不適用保固。正常磨損包括因經常使用而造成的輪子和面料磨損，以及因產品老化而造成的正常顏色與材料衰退。

遇有產品瑕疵時，應如何處理：

如果產品出現問題或瑕疵，請您及時聯繫我們授權的經銷商或零售商。他們承認我們的24個月保固承諾⁽¹⁾。您必須提出24個月內開出的購買證明。為了讓您擁有更為順利的售後服務，建議您事先取得由我們開具的保固同意書。若您在保固期內提出了有效的保固要求，我們可能會要求您將產品返回經我們授權的經銷商或零售商處，或者依據我們的指示將產品寄回給我們。若您遵守所有的指示，我們將支付相關往返費用。不在保固範圍之內或者不受消費者法律保障的損壞或瑕疵，或者不在本保固條款涵蓋範圍之內的事物的損壞或瑕疵，將酌收維修處理費用。

消費者權益：

消費者有權依據消費者相關法令規定，提出相關權益要求，權益內容依國而異。國內適用的消費者權益相關法律，不受本保固條款限制。

本保固條款由 Dorel Netherlands 提供。本公司於荷蘭登記，公司登記號碼 17060920。公司地址為：Korendijk 5, 5704 RD Helmond, The Netherlands, 郵寄地址為：P.O. Box 6071, 5700 ET Helmond, The Netherlands。

您可以在使用者手冊的最後一頁，以及相關品牌網站中，找到 Dorel 工業集團其它分公司的名稱及詳細地址。

⁽¹⁾ 對於從零售商或經銷商處購買的產品，如果移除或更改了標牌或識別號碼，我們將視其為未經授權產品。由於無法確定其是否為公司貨，這些產品將不適用保固承諾。

8. 疑問

如有任何疑問，請聯繫您当地的 MAXI-COSI 零售商（參見 WWW.MAXI-COSI.COM 获取联系信息）。請確保您手上有以下信息：

- 橙色/白色 ECE 标签（位于 Tobi 背面）下方的序列号。
- 使用 Tobi 的汽车和座椅的品牌、类型及构造。
- 您孩子的年龄（身高）和体重。

Mahal na mga magulang

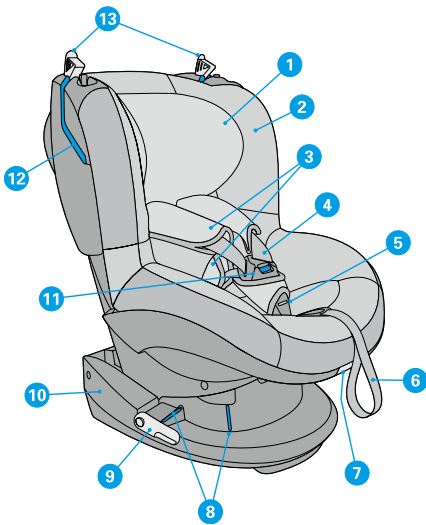
Malugod na pagbati sa inyong pagbili ng Tobi.

Sa paggawa ng Tobe, nagbigay kami ng espesyal na atensyon sa kaligtasan, dali ng paggamit, kaginhawahan at disenyo. Bilang resulta nito, ang produktong ito ay tumutupad sa pinaka-istritong pangangailang kaligtasan.

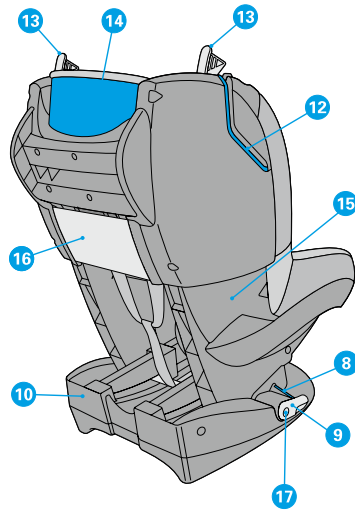
Lumitaw sa mga pag-aaral na malaking porsiyento ng upuang pang kotse na pambata ay hindi ginagamit nang tama. Kaya napakaimportante na maglaan ng oras para basahin ang mga tagubilin ito na maingat. Ang pinakalubos na kaligtasan ng inyong anak ay magagarantiya lang kung ang Tobi ay gagamitin nang tama.

Ang patuloy na pagsasaliiksik ng aming mga departamento sa paggawa ng produkto at pagkalakal, parehong sa pamamagitan ng masidhing pakikipagtulungan sa mga institusyong sumusuri at pagkonsulta sa mga mamimili at parokiyano, ay nagbibigay katiyakan na kami ay nananatiling nangunguna sa larangan ng kaligtasan ng bata sa kotse. Kung kayo ay may katanungan o puna tungkol sa gamit ng Tobi, magiging masaya kaming marining kayo.

Dorel (tirahan at numero ng telepono sa likod nitong manwal ng tagubilin)



1. Patungan ng ulo
2. Telang pangbalot
3. Pad ng sinturon
4. Sinturon sa balikat – sistemang harness
5. Tagaturo ng sikip ng sinturon
6. Taga-ayos ng sinturon para sa sistemang pang sinturon
7. Shell ng hawakan na pang-ayos
8. Mga pulang marka para sa hip na parte ng sinturong pang-upuan
9. (Mga) taga-sikip para sa sinturong pang-upuan
10. Balangkas



11. Buckle ng sinturon
12. Pulang lusutan ng sinturon para sa balikat na parte ng sinturong pang-upuan
13. Clamp ng sinturon para sa upuan ng kotse
14. Mga pulang marka sa likod ng sinturong pang-upuan
15. Shell
16. Lalagyang kompartamento para sa manwal ng tagubilin
17. Pindutang pangbitaw sa (mga) pansikip ng sinturon

MGA ESPESYAL NA KATANGIAN

Para bawasan ang probabilidad ng maling paggamit at para mapabuti ang dali ng paggamit ang Tobi ay may mga sumusunod na kakaibang katangian

- Isang sinturong sistemang harness na “umiigkas” pabukas na mag-isa sa sandaling ang buckle ng sinturon ay binuksan.
- Isang tagapagpahiwatig sa buckle ng sinturon na nagpapakita sa pamamagitan ng kulay kapag ang mga sinturon ay nahigpitan nang wasto.
- Isang buckle ng sinturon na nagsisilbi din na pindutang pangkontrol para sa sistema ng sinturon; halimbawa kapag ang buckle ay bukas, ang control ng mga sinturon sa balikat ay awtomatikong bibitaw at ang mga sinturon ay maaring pahabain. Kapag ang buckle ay sarado, ang mga sinturon sa balikat ay maaring higpitan hanggang ang tagapagpahiwatig ay “BERDE”. Wala nang karagdagang operasyon ng pindutan ang kinakailangan!

Mga nilalaman

- | | | |
|-----|---|----|
| 1. | IMPORTANTE: BASAHIN MUNA! | 35 |
| 2. | INSTALASYON AT PAGTANGGAL NG TOBI | 36 |
| 3. | PAGLAGAY NG IYONG ANAK SA TOBI | 37 |
| 3.1 | Paggamit ng sistemang harness | 37 |
| 3.2 | Mga posisyon (Pag-aayos ng upuan sa pa-upo at pasandal na mga posisyon) | 38 |
| 3.3 | Pagtanggal ng bata | 38 |
| 4. | PAGMENTINA | 39 |
| 4.1 | Pangkalahatan | 39 |
| 4.2 | Telang panakip | 39 |
| 4.3 | Pagpapagana at paglilinis ng buckle ng sinturon | 40 |
| 5. | PANGKALAHATANG MGA TAGUBILIN | 40 |
| 6. | PAGHIHIWALAY NG BASURA | 41 |
| 7. | SUSUNOD NA YUGTO UPUANG PAMBATA SA KOTSE | 42 |
| 8. | WARANTIYA | 42 |

1. Importante: basahin muna!



Mangyaring basahin ng maingat ang mga tagubilin ito para sa gumagamit at itago ang mga ito para reperensiya sa hinaharap. Kapag ang mga tagubilin ito ay hindi nasunod, ang kaligtasan ng isang bata ay maaring grabeng malagay sa panganib.



Mga original na aksesorya at parte na endorso ng tagagawa lang ang gamitin. Huwag gumawa ng ano mang pagbabago sa produkto. Magbigay-alam sa nagsusupply or nag-iimport kung may reklamo o problema.

Aprobado ayon sa ECE R44/04			
	Grupo	Bigat ng katawan ng bata	Edad
Tobi	1	9 -18 kg	Halos 9 na buwan – 3.5 taon

2. Instalasyon at pagtanggap ng Tobi

Instalasyon na may 3-puntong sinturon (sundan ang pulang kulay na marka sa produkto)

! Gamitin lang ang Tobi sa upuang nakaharap sa harapan na nalagyan ng awtomatikong 3-puntong sinturon, sa kondisyong ito ay aprubado ayon sa pamantayang ECE R16 o kaparis nito.

! Ang tamang lapat ng sinturong pang-upuan sa kotse ay lubhang mahalaga sa kaligtasan ng bata. Ang upuan sa kotse ay dapat na nakakabit sa tamang pagkakasunod-sunod sa pulang marka sa Tobi, para dito tignan lahat ng sticker sa gilid ng Tobi. Huwag ilapat ang sinturong pang-upuan sa iba pang paraan maliban sa nailarawan.

! Alisin ang sandalang pang-ulo ng upuan ng kotse kung saan ang Tobi ay gagamitin kung ito ay nakakasagabal. Huwag kalimutang ibalik ang sandalang pang-ulo kapag ang upuan ay gagamitin muli.

A. Instalasyon

- **BIGYANG PANSIN!** Ikandado and mga natutuping upuan sa likuran bago ikabit ang Tobi.
- **BIGYANG PANSIN!** Sa ibang mga kaso, ang sinturong pang-upuan ay nakaposisyon ng sobrang pasulong. Gagawin nitong imposible ang maayos na instalasyon. Sumubok ng ibang upuan sa kasong ito.
- 1 • **BIGYANG PANSIN!** Bago ikabit ang upuan, siguraduhing ang mga sinturong pansikip ay nasa tamang posisyon sa pamamagitan ng pagdiin sa pindutang pangkawala (1). Ang Mga sinturong pangikip ay dapat na pahalang.
- 2 • **BIGYANG PANSIN!** Siguraduhin na ang parehong mga clamp ng sinturong pang-upuan ay bukas (2).
- Ilagay ang Tobi sa upuan ng kotse.
- 3 4 • Ilagay ang sinturong pang-upuan para sa Tobi kasama at sa ibabaw (4) ng mga sinturong pansikip. Siguraduhing ang sinturong pang-baywang ay dumadaan sa ilalim ng shell, sa ibabaw ng mga pulang marka sa sinturon (3,1).
- 3 • I-click ang sinturong pang-upuan papasok sa buckle ng sinturon ng kotse (3,2).
- 5 • **BIGYANG PANSIN!** Maaring ang kaso ay ang parteng buckle ng sinturong pang-upuan ay sobrang mahaba na ang buckle ay nakausli sa taas ng balangkas ng Tobi. Kapag ganoon, ang Tobi ay hindi mailalapat ng maayos. Sa kasong ganoon, pumili muli ng ibang posisyon sa kotse (5). Dagdag doon, maaaring masira nito ang buckle!
- 6 • Padausdusin ang parteng balik ng sinturong pang-upuan, sa tagiliran kung saan ang buckle ng sinturon ng kotse ay matatagpuan din, papasok sa pulang butas ng sinturon sa sandalan (6).
- 7 • Pagkatapos idaan ang parteng balik sa mga pulang marka para sa sinturong pang balik sa likod ng Tobi (7).
- 7 • Padausdusin ito papasok sa ikalawang pulang butas sa sinturon palabas (7,2).
- 8 • Itulak ang Tobi ng mabuti papasok sa upuan ng kotse (8,1) habang kasabay na hinahatak pasikip ang sinturong pang-balikat (8,2). Ang Tobi ay matibay na nailagay sa lugar sa kotse ngayon. I-tsek muli ito!
- 9 • Una isara ang clamp ng sinturon sa dako ng buckle ng sinturon at pagkatapos dun sa kabilang gilid, sa direksyon na pataas na romorolyong mekanismo (9).
- 10 • Sa huli, sikipan ang sinturon ng mabuti sa pamamagitan ng pag-ikot ng (mga) pansikip ng sinturon sangkaapat na ikot pataas sa posisyong patayo (10). Ang sinturong pang-upuan ay mas nagkasya nang mahigpit!
- Sa maraming kaso ito ay magreresulta sa isang kink sa sinturong pangbaywang. Gayunman, ito ay walang anomang peligro sa inyong anak at ito ay parte ng tamang instalasyon!
- **BIGYANG PANSIN!** Siguraduhing ang parehong clamp ng sinturon sa ibabaw ng upuan ay sarado.
- **BIGYANG PANSIN!** Siguraduhing na ang sinturong pang-upuan ng kotse ay hindi nakapilipit.

- Kapag ang sinturong pang-upuan ay maayos nang nailagay, ang iba't-ibang "bista" ay may hitsura ng mga sumusunod:



Checklist...

- Para masiguro ang lubos na kaligtasan ng batat, matapos ang instalasyon ng upuan i-tsek minsan pa na...
- ang sinturong pang-upuan ay masikip at hindi ito nakapilipit,
 - ang parting baywang ng sinturong pang-upuan ay dumadaan sa ibabaw ng pulang marka ng sinturon at (mga) pansikip ng sinturon.
 - ang (dayagonal) na parteng pangbalikat ng sinturong pang-upuan ay nakadikit ng maayos at dumadaan sa pagitan ng dalawang butas sa sinturon, kasama ng mga pulang marka sa likod ng Tobi.
 - parehong mga clamp ng sinturon ay sarado,
 - ang (mga) tagasikip ng sinturon ay nasa nasikipang, patayong posisyon,
 - ang buong Tobi ay nakalagay nang ligtas at matibay sa kotse.

B. Pagtanggap sa Tobi

- 11 • Buksan ang buckle ng sinturon ng sinturong pang-upuan (11).
- 12 • Susunod, buksan ang parehong clamp ng sinturon (12).
- 13 • Pakawalan ang mga pansikip ng sinturon sa pamamagitan ng pagdiin sa pindutan (13). Ang pansikip ng sinturon ay uuring pababa ngayon, sa pahalang na posisyon.
- 14 • Alisin ang sinturong pang-upuan mula sa mga butas ng sinturon (14).
- Ilabas ang Tobi mula sa kotse.

3. Paglagay ng iyong anak sa Tobi

3.1 Paggamit ng sistemang harness

A. Pagsaayos ng taas ng harness

Bago ilagay ang bata sa Tobi at ikandado ang sinturon ng harness, una ay alamin muna ang tamang taas ng mga sinturong pang-balikat at patungan ng ulo.

- 15 • Buksan ang buckle ng sinturon (15) sa pamamagitan ng pagdiin sa pulang pindutan ng buckle ng sinturon.
- Ang mga sinturong pang-balikat ay awtomatikong makakawala at maaring pahabain na walang ibang dinidiinang pindutan.
- 16 • Luwagan ang mga sinturong pang-balikat sa pamamagitan ng pasulong na paghatak sa layong kakayanin (16).
- **BIGYANG PANSIN!** Huwag hatakin ang mga pad ng sinturon habang ginagawa ito.
- 17 • Ilagay ang bata na nakaderetso ang likuran sa Tobi at i-check ang taas ng sinturon (17).
- 18 • **BIGYANG PANSIN!** Ang taas ng mga sinturong pang-balikat ay tama kapag ang sinturon ay nawala papasok ng shell na medyo mataas sa mga balik ng bata (18).



19

- Isaayos ang mga sinturong pang-balik at kasama ang at sa pamamagitan ng sandalan ng ulo.
- Para iurong ang mga sinturong-pang-balikat at sandalan ng ulo sa kinakailangang taas, iurong ang sandalan ng ulo sa pamamagitan ng hawakan sa itaas at sabay na pasulong at pataas o pababa (19). Ang sinturong-pang-balikat kasama ang sandalan ng ulo ay maaring i-set sa 6 na magkakaibang taas.

B. Paglagay ng bata sa Tobi

20

- Ilagay ang bata na nakaderetso ang likuran sa Tobi.
- Idausdos ang seksyon ng buckle na magkasama (parte A sa parte B) at isingit ang mga ito sa buckle ng sinturon na may malinaw na maririnig na “click” (20). Kapag sarado na ang buckle, ang sistema ng sinturon ay hinarangan na at maari lang hataking pasikip.

21 22

- Kung kailangan ninyong habaan ang mga sinturon, ang buckle ay dapat munang buksan.
- Ngayon hatakin ang sistema ng harness ng mahigpit sa pamamagitan ng paghatak sa sinturong pang-ayos (21,2). Hatakin hanggang ang tagaturo sa buckle ng sinturon ay naging berde (21,2). Kung ito ay kulay pilak pa rin ang sinturon ay dapat hatakin ng mas masikip (22). Siguraduhing ang tagaturo ay berde bago magmaneho. Kung tila ang sinturong pang-harness ay maluwag pa din kahit ang tagaturo ay naging berde, ang sinturon ay maaring hatakin pa ng mas masikip. Ito ay magsisiguro ng lubos na kaligtasan. Habang nagmamaneho, posible na ang tagaturo ay bumalik muli sa kulay pilak bilang resulta ng mga paggalaw ng bata. Ito ay normal ay hindi makakaapekto sa kaligtasan ng bata.
- **BIGYANG PANSIN!** Habang mas mahigpit na nakalapat ng tama ang mga sinturon, mas maayos ang proteksyon.
- **BIGYANG PANSIN!** Siguraduhing ang nakahabing (laban-dulas) gilid ng mga pad ng sinturon ay nakaposisyon ng maayos sa balik/dibdib ng inyong anak.
- **BIGYANG PANSIN!** Siguraduhing ang mga sinturon ay hindi pilipit o nakatupi ng doble.



Laging gamitin ang pad ng sinturon, dahil ito ay mahalaga para sa kaligtasan ng inyong anak.



Sabihan ang bata na huwag kailanman paglaruan ang buckle ng sinturon.

3.2 Mga posisyon ng upuan (Pag-sasaayos ng upuan sa pa-upo at pasandal na mga posisyon)

Ang Tobi ay maaring i-set sa 5 mga posisyon.

23

- Hatakin ang hawakang pangposisyon sa ilalim ng harapan ng upuan ng pataas at pagkatapos ay hatakin o itulak ang upuan ng pasulong o patalikod (23).
- Pakawalan ang hawakang pangposisyon sa nais na posisyon at itulak hanggang marinig mo ang isang “click”.
- **BIGYANG PANSIN!** I-check para masiguro na ang Tobi ay matibay na nakakandado sa nais na posisyon sa pamamagitan ng paghatak dito.

Checklist...

Para masiguro ang lubos na kaligtasan ng bata, i-tsek bago ang bawat trip na upang masiguro na...

- ang buong Tobi ay nakalagay ng ligtas at matibay sa kotse.
- ang taas ng sinturong pang-balikat ay naaakma para sa inyo anak,
- ang mga sinturon ay hindi nakapilipit, Siguraduhing ang nakahabing (laban-dulas) gilid ng mga pad ng sinturon ay nakaposisyon ng maayos sa balik/dibdib ng inyong anak.
- ang bata ay matiwasa sa mga sinturon, ang buckle ng sinturon ay sarado at ang tagaturo ay nasa berde,
- ang tali sa Tobi ay hindi sira. Kung ito ay sira, huwag gamitin ang Tobi sa ano mang pagkakataon at ipagbigay alam sa inyong retailer or importer agad-agad.

3.3 Pagtanggap ng bata

24

25

- Ilagay ang Tobi sa paupong posisyon (tignan din ang seksyon 3.2 Mga posisyon ng upuan).
- Buksan ang buckle ng sinturon sa pamamagitan ng pagdiin sa pulang pindutan ng buckle (24).
- Luwagan ang mga sinturong pang-balikat sa pamamagitan ng pasulong na paghatak sa layong kakayanin (25).
- Ilabas ang Tobi mula sa kotse.



4. Pagmementina

4.1 Pangkalahatan

- **BIGYANG PANSIN!** Gawin lamang ang mga hakbang na ito habang ang Tobi ay nasa labas ng kotse.
- Gumamit ng maligamgam na tubig, sabon, at isang tela para linisin ang mga plastic na parte ng upuan. Huwag gamitan ng ano mang matapang na mga panlinis.
- Ang mga telang parte ay maaring linisin ayon sa mga tagubilin nakasaad sa etiketang panghugas; hugasan gamit ay kamay sa maligamgam na tubig at suwabeng panlinis.
- **BIGYANG PANSIN!** Huwag kailanman gumamit ng lubrikante – kahit na sa mga parteng gumagalaw ng Tobi.

4.2 Telang panakip

Pagtanggap ng takip

24 25

- Buksan ang buckle ng sinturon. Luwagan ang mga sinturong pang-balikat sa pamamagitan ng paghatak ng mga ito pasulong sa layo na kakayanin. (24, 25). Alisin sa pagkakawit ang mga elastic loop mula sa mga kawit sa parehong gilid ng hawakang pangposisyon.

26 27

- Alisin ang elastic na dulo ng takip mula sa mga dulo ng shell at pagkatapos ay maingat na luwagan ang takip sa unahan (26, 27).
- Alisin ang pad ng buckle ng sinturon sa pamamagitan ng paghatak nito ng maingat sa ibabaw ng buckle ng sinturon patagilid sa isang angulo. Idaan ang panakip sa ibabaw ng buckle ng sinturon (mula likod paharap).

28

- Luwagan ang panakip mula sa gilid na mga punto sa parehong gilid ng shell (28).

29

- Luwagan ang likod na flap ng panakip at itupi ito pasulong (29).

30

- Alisin ang panakip ng maingat mula sa mga gilid (30).

31

- Luwagan ang panakip sa likod ng mga clamp ng sinturon. Ang panakip ay itinulak sa likod ng mga clamp ng sinturon dito (31,1)

31

- Ngayon higitin ang pantakip ng maingat sa ibabaw ng sandalan ng ulo (31,2).

- Alisin ang pantakip.

32

- Alisin ang mga pad ng sinturon ng sinturong pang-balikat sa pamamagitan ng pagluluwag sa Velcro at sa mga popper na nasa labas (32).

33

- Alisin ang sinturon sa likod ng flap na may Velcro (33).

34

- Idausdos ang kawit palabas ng bilog ng pad ng sinturon (34).

35

- Alisin ang pad ng sinturon mula sa spring (35).

- Gawin ito sa parehong mga pad ng sinturon.

- Ulitin ang nasa itaas, hindi kasama ang clasp, para sa dalawang pad ng sinturong pang-baywang. Ang mga pad ng sinturong pang-baywang ay nakakabit sa sinturong may Velcro.

36

- Alisin ang pantakip ng sandalan ng ulo sa pamamagitan ng pag-alis ng dalawang elastic na band mula sa ilalim na flap na nasa ilalim ng plastic na parte (36,1).

- Luwagan ang pantakip ng sandalan ng ulo sa isang panig sa ilalim ng isang bahagi at alisin ang pantakip ng maingat sa bahaging ito ng sandalang pang-ulo.

- Maingat na luwagan ang pantakip ng sandalang pang-ulo sa dulo sa ilalim ng hawakan sa ibabaw sandalang pang-ulo.

36

- Ngayon alisin ang pantakip ng sandalang pang-ulo ng maingat. (36,2).

Paglilinis ng pantakip

- Hugasan ang pantakip at mga pad ng sinturon gamit ang kamay (pinakamataas ang 30°C). Huwag gumamit ng pantuyo. Tignan din ang mga tagubilin sa pangangalaga sa pantakip.

Tip: Mas mainam na bumili ng ekstrang pantakip kapag bumili ng Tobi para sa gayun ay maipagpatuloy itong gamitin kahit na ang pantakip ay hinuhugasan at pinatutuyo.

Pagkabit muli sa pantakip

- Ulitin ang mga hakbang na nasa itaas sa pabaligtad na pagkakasunod-sunod!
- **BIGYANG PANSIN!** Una ikabit ang 4 na mga pad ng sinturon at ang pantakip ng sandalang-pang-ulo bago ikabit muli ang pantakip.
- Idausdos muli ang pantakip ng maigi papasok sa mga dulo ng pantakip ng shell.
- I-check ang pantakip kung ito ay hapit sa kabuuan at ligtas na nakaayos.

4.3 Belt buckle and belt adjustment system functioning and cleaning

The proper functioning of the belt buckle and belt adjustment system is very important for the safety of the child. The most common reason that the buckle and/or belt adjustment system does not function properly is because it is dirty (from dust, grime, food particles, etc.). Make sure that the belt buckle stays clean by vacuuming out all dirt. If the belt adjustment system is not functioning properly, contact your supplier or importer immediately (see back of instruction manual for contact details). Do not use the Tobi under any circumstances!

The following is a list of possible causes of function failure and possible solutions.

A. Hindi pag-andar ng buckle ng sinturon

- Kapag binubuksan ang buckle ng sinturon, ang seksyon ng buckle ay pinakakawalan ng dahan-dahan.
- Ang buckle ng belt ay mabubuksan lamang gamit ang maraming puwersa.
- Mahirap i-click ang mga seksyon ng buckle papasok ng buckle (sobrang paglaban).
- Ang buckle ay hindi na sasara, ang mga seksyon ng the buckle ay hindi magsasabay-sabay.
- Walang “click” na tunog kapag sinara ang buckle.

B. Paglutas ng ano mang mga problema

- I-check ang buckle sa ano mang dumi, at kung kailangan linisin sa pamamagitan ng pagpapatumba sa dumi, paghuhugas, linisin ng blower o i-vacuum gamit ang vacuum cleaner, bilang halimbawa.
- **BIGYANG PANSIN!** Huwag kailanman gumamit ng mga lubrikante!

Kung hindi mo maisara ang buckle ng sinturon o kung hindi ka sigurado kung nalutas mo ang problema ng tama, makipagbigay-alam sa retailer o importer agad-agad (tignan ang likod ng manwal ng tagubilin). Kahit sa anomang pagkakataon huwag gamitin ang Tobi.

5. Pangkalahatang mga tagubilin

Palaging bigyan ng atensyon ang mga sumusunod...

- Laging gamitin ang upuan, kahit sa mga maiikling biyaheng malapit sa bahay, dahil sa dito madalas nangyayari ang mga aksidente.
- Gamitin lamang ang Tobi sa kotse at hindi sa bahay. Ang mga upuang pangkotse ay hindi nadiseno na maging panmbahay.
- Ang Tobi ay maaring gamitin sa harapang upuan at sa likuang upuan. Kahit na ang kotse ay may airbag! Gayunman, rekomendado namin ang paglagay nito sa upuan sa likod. Kung ito ay hindi posible, siguraduhin na kung ang instalasyon ay nasa unahang upuan na may airbag, ang upuan ay nasa likurang posisyon. Tignan ang manwal ng kotse, dahil maaraming kotse na may posibilidad na madaling ma-switch off ang airbag
- Ang upuan ay dapat na nakasiguro sa seat belt, kahit na hindi ginagamit. Ang isang maluwa na upuan ay maaring makasakit ng ibang mga pasahero sa isang biglang paghinto.
- Siguraduhin na ang Tobi ay hindi siksik o ipit sa mabigat na bagahe, mga upuang naaayos o pintong sumasara.
- Huwag kailanman gamitin ang Tobi na walang pantakip. Huwag palitan ang pantakip ng isang pantakip na hindi orihinal dahil ang pantakip ay parte ng kabuuang kaligtasan ng upuan.

- Laging takpan ang Tobi kapag ang kotse ay nakapark sa tirik na araw; ang mga parteng plastic at metal ay maaring uminit ng todo, at maging sanhi ng pagkasunog at pag-iba ng kulay ng pantakip na hindi naman kailangan.
- Para iwasan ang sira sa tela, huwag alisin ang mga logo, atbp sa pantakip.
- Siguraduhin na walang bagahe o iba pang mga bagay na maluwa (halimbawa sa likod na shelf) sa kotse. Sa emergency na pagtigil o pagbangga ang mga ito ay magiging mapanganib na mga bagay na hahagis.
- Kapag nasa malayu ang mga paglalakbay, siguraduhing huminto ng madalas bilang pahinga para bigyan ang inyong anak ng lugar para gumalaw.
- Huwag kailanman iwanan ang inyong anak na mag-isa sa kotse na walang tumitingin.
- Ingatan sa tamang lugar sa likod ng Tobi ang mga tagubilin sa mga gumagamit para sa susunod na pagsangguni.
- Ang Tobi ay ginawa para sa madalas na paggamit nang tinatayang 10 taon.
- Inirerekumenda naming regular na suriin ang mga expanded polystyrene (EPS) na bahagi para sa mga pinsala.
- Huwag gumamit ng mga second-hand na produkto nang hindi alam ang kasaysayan. Maaaring sira, napunit o nawawala ang ilang bahagi.
- Ang gumagamit ay hindi dapat gumawa ng anomang mga pagbabago sa upuan ng kotse o mga sinturon. At saka ang mga etiketa o mga babala, atbp na kasamang parte ng upuan ay hindi dapat alisin sa anomang pagkakataon!
- Palitan ang Tobi kapag nakaranas ito ng matinding puwersa sa isang aksidente: hindi na magagarantiya ang kaligtasan ng iyong anak.
- Alam ng gumawa na ang mga upuan sa kotse ay maaaring makadulot ng impresyon sa upholstery ng kotse o sinturong pang-upuan ng kotse. Ito ay hindi maiiwasan, dahil ang mga pamantayan ng kaligtasan ay nangangailangan ng malakas at matibay na mga paraang pangkabit. Kaya ang gumawa ay hindi maaring managot sa anumang sirang dala ng mga ito.

At mangyari pa...

- Laging magset ng mabuting halimbawa at magsuot ng inyong sariling mga sinturong pangkaligtasan!

6. Paghihiwalay ng basura

To ensure optimum and safe use of car safety seats, they should not be used for longer than 5 years after the date of purchase. Ageing of the plastic, for instance under the influence of sunlight (UV), may quite unnoticeably reduce the qualities of the product.

Once the child has grown out of the seat, we therefore advise you to no longer use the car seat and to dispose of it in the proper way.

As we care for the environment we request the user to separate the waste produced at the start (packaging) and end (product parts) of the life of the Tobi.



Make sure to keep plastic wrapping material out of reach of your child in order to avoid the risk of suffocation.

Packaging	Cardboard box	Paper waste
	Plastic bag	Residual waste
Product parts	Fabric cover	Residual waste
	Plastic parts	In accordance with the typification of the appropriate container
	Metal parts	Container for metal
	Tether	Container for polyester
	Belt buckle	Residual waste

7. Warantiya

Ang aming 24 na buwan na warranty ay sumasalamin sa aming tiwala sa mataas na kalidad ng aming disenyo, engineering, produksyon at pagganap ng produkto. Kinukumpirma namin na ginawa ang produktong ito alinsunod sa mga kasalukuyang kinakailangan sa kaligtasan at pamantayan sa kalidad sa Europe na nalalapat sa produktong ito, at walang depekto ang produktong ito sa mga materyales at pagkakagawa sa oras ng pagbili. Sa ilalim ng mga kundisyong nabanggit dito, maaaring magamit ng mga consumer ang warranty na ito sa mga bansa kung saan ibinenta ang produktong ito ng isang sangay ng Dorel Group o ng isang awtorisadong dealer o retailer.

Saklaw ng aming 24 na buwan na warranty ang lahat ng depekto sa paggawa sa mga materyales at pagkakagawa kapag ginamit sa mga karaniwang kundisyon at alinsunod sa aming user manual sa loob ng 24 na buwan mula sa petsa ng orihinal na pagbili ng unang end-user na customer. Upang humiling ng mga pagkumpuni o spare part na saklaw ng aming warranty para sa mga depekto sa materyales at pagkakagawa dapat kang magpakita ng patunay ng pagbili, na isinagawa sa loob ng 24 na buwan bago ang paghiling sa serbisyo.

Ang aming 24 na buwan na warranty ay hindi nalalapat sa mga depektong dulot ng karaniwang pagkasira dahil sa matagalang paggamit, mga pinsalang dulot ng mga aksidente, maling paggamit, pagpapabaya, sunog, pagkabasa o iba pang panlabas na pinsala, pinsalang dulot ng paggamit kasama ang ibang produkto, pinsalang dulot ng serbisyo ng sinumang hindi namin awtorisado, o kung nanakaw ang produkto o kung tinanggal o pinalitan ang anumang label o identification number ng produkto. Ang mga halimbawa ng karaniwang pagkasira dahil sa matagalang paggamit ay ang pagkasira dahil sa regular na paggamit at ang natural na pagkupas ng mga kulay at materyales dahil sa normal na pagkaluma ng produkto.

Ano ang gagawin kung sakaling may mga depekto:

Kung magkaroon ng anumang problema o depekto, dapat ka munang makipag-ugnayan sa kinikilala naming awtorisadong dealer o retailer. Kinikilala nila ang aming 24 na buwan na warranty(1). Dapat mong ipakita ang patunay ng iyong pagbili, na isinagawa sa loob ng 24 na buwan bago ang paghiling sa serbisyo. Mas madali kung napre-approve na namin ang iyong paghiling sa serbisyo. Kung magsumite ka ng isang may bisang claim sa ilalim ng warranty na ito, maaari naming hilingin na ibalik mo ang iyong produkto sa awtorisadong dealer o retailer na kinikilala namin o na i-ship mo sa amin ang produkto alinsunod sa aming mga tagubilin. Babayaran namin ang shipment at return freight kung nasunod ang lahat ng tagubilin. Ang mga pinsala at/o depektong hindi saklaw ng aming warranty o ng mga karapatan ng consumer at/o pinsala at/o mga depekto sa mga produktong hindi saklaw ng aming warranty ay maaaring ayusin nang may bayad.

Mga karapatan ng consumer:

May mga karapatan ang isang consumer batay sa nalalapat na batas ng consumer, na maaaring mag-iba ayon sa bansa. Ang mga karapatan ng consumer sa ilalim ng nalalapat na nasyunal na batas ay hindi naaapektuhan ng warranty na ito.

Inilaan ng Dorel Netherlands ang warranty na ito. Nakarehistro kami sa The Netherlands sa company number 17060920. Ang aming trading address ay Korendijk 5, 5704 RD Helmond, The Netherlands, at ang aming postal address ay P.O. Box 6071, 5700 ET Helmond, The Netherlands.

Ang mga pangalan at detalye ng address ng ibang mga sangay ng Dorel group ay makikita sa huling pahina ng manual na ito at sa aming website para sa pinag-uusapang brand.

(1) Produkter som köps från återförsäljare eller handlare som tar bort eller byter etiketter eller identifikationsnummer anses otillåtna. Produkter som köps från obehöriga återförsäljare anses också otillåtna. Ingen garanti gäller för sådana produkter eftersom produkternas äkthet inte kan fastställas.

8. Mga tanong

Kung mayroon kang anumang mga tanong, pakitawagan ang supplier o importer mo (tingnan ang likuran ng mga tagubilin sa gumagamit). Siguruhin na hawak mo ang sumusunod na impormasyon:

- Serial number sa ibaba ng kahel/puting ECE sticker (sa likuran ng Tobi).
- Gawa, uri at konstruksiyon ng kotse at ng upuan kung saan ang Tobi ay ginamit.
- Edad (haba) at bigat ng iyong anak.

Kính gửi các bậc cha mẹ

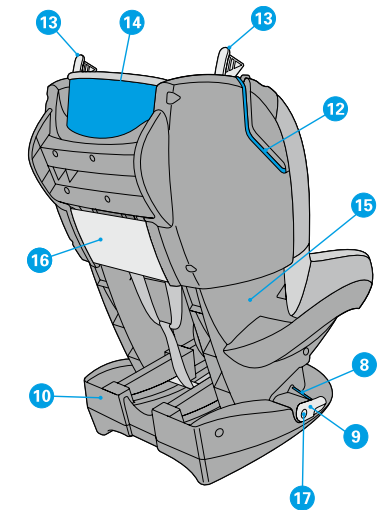
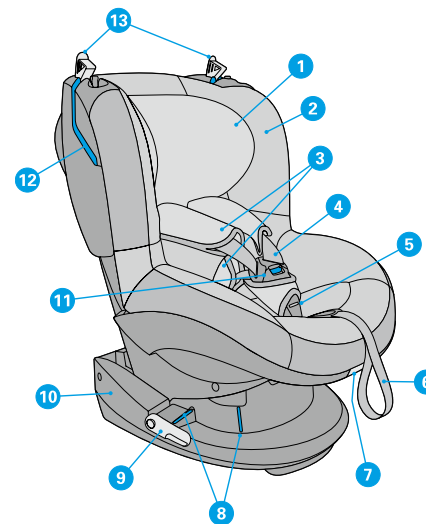
Chúc mừng bạn đã mua ghế xe hơi Tobi.

Trong quá trình phát triển Tobi, chúng tôi đặc biệt quan tâm đến sự an toàn, việc dễ dàng và thiết kế đặc biệt. Nhờ vậy, sản phẩm này đáp ứng các yêu cầu an toàn nghiêm ngặt.

Các nghiên cứu cho thấy tỷ lệ ghế xe ô tô trẻ em không được sử dụng đúng cách rất lớn. Do đó, điều quan trọng là bạn dành thời gian để đọc kỹ các hướng dẫn này. Sự an toàn tối ưu của con bạn chỉ được đảm bảo nếu ghế xe hơi Tobi được sử dụng đúng.

Sự nghiên cứu liên tục của bộ phận phát triển sản phẩm và tiếp thị của chúng tôi, thông qua sự hợp tác chuyên sâu với các cơ sở thử nghiệm và thông qua sự tham khảo ý kiến người tiêu dùng và khách hàng để đảm bảo rằng chúng tôi luôn đi đầu trong lĩnh vực an toàn trẻ em trong ô tô. Nếu bạn có thắc mắc hoặc nhận xét về việc sử dụng Tobi, chúng tôi sẽ hân hạnh nhận được ý kiến của bạn.

Dorel (địa chỉ và số điện thoại ở mặt sau sách hướng dẫn này)



- | | |
|--|---|
| 1. Tựa đầu | 10. Khung |
| 2. Vải bọc | 11. Khóa đai |
| 3. Đệm dây an toàn | 12. Khe dây màu đỏ cho phần vai của dây an toàn |
| 4. Dây vai - hệ thống dây đai an toàn | 13. Dây an toàn vào ghế ô tô |
| 5. Bảo độ căng dây an toàn | 14. Đánh dấu đỏ phần lưng của dây an toàn |
| 6. Dây điều chỉnh cho hệ thống dây an toàn | 15. Vỏ |
| 7. Vỏ cần điều chỉnh | 16. Ngăn để sách hướng dẫn |
| 8. ấu đỏ cho phần hông của dây an toàn | 17. Nút nhả của đầu căng dây an toàn |
| 9. Đầu căng dây an toàn | |

CÁC TÍNH NĂNG ĐẶC BIỆT

Để làm giảm khả năng sử dụng sai và cải thiện tính sử dụng dễ dàng, Tobi có các tính năng độc đáo sau:

- Một hệ thống dây an toàn tự mở “bật lò xo” mở ra ngay khi khóa đai được mở.
- Một chỉ báo bằng màu trên khóa đai cho biết khi dây an toàn được thắt đúng.
- Khóa đai cũng đóng vai trò làm nút điều khiển cho hệ thống dây, nghĩa là khi khóa được mở, điều khiển các dây vai tự động nhả và các dây dây có thể dài ra hơn. Khi khóa đóng, các dây vai có thể được thắt chặt cho đến khi chỉ báo là “XANH LỤC”. Không cần thêm thao tác chỉnh nút nào khác!

Nội dung

1.	QUAN TRỌNG: ĐỌC PHẦN NÀY TRƯỚC!	44
2.	LẮP VÀ THÁO GHẾ TOBI	45
3.	ĐẶT TRẺ VÀO GHẾ TOBI	46
3.1	Sử dụng hệ thống dây đai an toàn	46
3.2	Vị trí ghế (Điều chỉnh vào các vị trí ngồi và nằm)	47
3.3	Bé trẻ ra	47
4.	BẢO DƯỠNG	47
4.1	Bảo dưỡng chung	47
4.2	Vải che	48
4.3	Vệ sinh và sử dụng khóa đai	48
5.	HƯỚNG DẪN CHUNG	49
6.	PHẦN LOẠI RIÊNG PHÉ PHẨM	50
7.	GHẾ Ô TÔ TRẺ EM GIAI ĐOẠN TIẾP THEO	50
8.	BẢO HÀNH	51

1. Quan trọng: đọc phần này trước!

Vui lòng đọc kỹ các hướng dẫn sử dụng này và giữ lại để tham khảo trong tương lai. Nếu các hướng dẫn này không được tuân theo, sự an toàn của trẻ có thể bị đe dọa.

Chỉ sử dụng các phụ kiện và các bộ phận gốc đã được nhà sản xuất xác nhận chất lượng. Không thực hiện bất kỳ thay đổi nào với sản phẩm. Liên hệ với nhà cung cấp hoặc nhà nhập khẩu nếu bạn có bất kỳ khiếu nại hay sự cố nào.

	Được sản xuất theo ECE R44/04		
	Nhóm	Trọng lượng đứa trẻ	Tuổi
Tobi	1	9 –18 kg	Khoảng 9 tháng – 3,5 tuổi

2. Lắp và tháo ghế Tobi

Lắp đặt với dây đai an toàn 3 điểm (theo các dấu màu đỏ trên sản phẩm)



Chỉ sử dụng Tobi trên ghế ngồi quay mặt về phía trước có dây đai an toàn 3 điểm tự động, miễn là ghế ngồi đó đã được phê duyệt theo tiêu chuẩn ECE R16 hoặc tiêu chuẩn tương tự.



Lắp dây an toàn ô tô đúng cách là điều cần thiết cho sự an toàn của con bạn. Ghế ô tô phải được lắp theo đúng trình tự các dấu đỏ trên Tobi, để biết điều này, nhìn nhãn dán trên mặt của Tobi. **Không bao giờ lắp dây an toàn khác với cách được mô tả!**

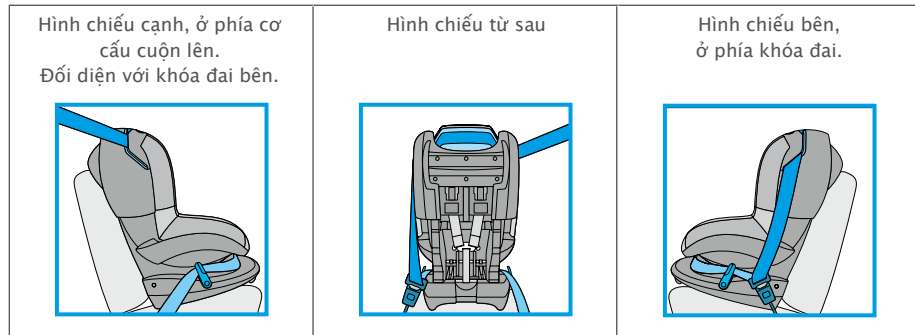


Tựa đầu của ghế mà Tobi sẽ được tháo ra khi sử dụng trong ô tô nếu tựa đầu gây cản trở. Đừng quên lắp tựa đầu trở lại khi được sử dụng lại.

A. Lắp đặt

- **LƯU Ý!** Khóa các ghế gấp xuống phía sau trước khi lắp ghế Tobi.
- **LƯU Ý!** Trong một số trường hợp, các dây an toàn nằm quá xa về phía trước. Nếu vậy không thể lắp đặt ghế đúng cách. Hãy thử một ghế ngồi khác trong trường hợp này.
- **LƯU Ý!** Trước khi lắp ghế, hãy đảm bảo rằng các đầu căng dây an toàn đang ở vị trí đúng bằng cách nhấn nút nhả (1). Các đầu căng dây an toàn phải nằm ngang.
- **LƯU Ý!** Đảm bảo rằng cả hai kẹp dây an toàn đều đang mở (2).
- Luồn dây đai an toàn của Tobi vào và vòng qua (4) các đầu căng dây an toàn. Đảm bảo rằng dây hông đi qua dưới vỏ, phía trên các dấu dây màu đỏ (3,1).
- Bấm dây an toàn vào khóa đai an toàn của ô tô (3,2).
- **LƯU Ý!** Có thể có trường hợp phần khóa của dây an toàn quá dài khiến khóa nhô ra khỏi khung của ghế xe hơi Tobi. Nếu vậy, không thể cố định an toàn ghế xe hơi Tobi. Trong trường hợp đó, chọn một vị trí khác trong ô tô (5). Ngoài ra, điều này có thể làm gãy khóa!
- Trượt phần vai của dây an toàn, ở phía mà khóa đai an toàn của ô tô cũng được đặt, qua khe dây màu đỏ trên tựa lưng (6).
- Sau đó luồn phần vai đi theo các dấu màu đỏ cho dây vai ở mặt sau của Tobi (7).
- Trượt phần này qua khe dây màu đỏ thứ hai ra ngoài (7,2).
- Ấn chặt Tobi chặt vào ghế ô tô (8,1) trong khi đồng thời kéo chặt dây vai (8,2). Bây giờ Tobi đã được cố định vào ô tô. Hãy kiểm tra lại điều này!
- Trước tiên, đóng kẹp dây ở phía khóa đai rồi đóng kẹp dây ở phía bên kia, theo hướng cơ cấu cuộn lên (9).
- Cuối cùng, thắt chặt dây an toàn bằng cách xoay các đầu căng dây một phần tư vòng hướng lên ở vị trí thẳng đứng (10). Dây an toàn bây giờ đã chặt hơn!
- Trong nhiều trường hợp, điều này sẽ làm xoắn dây hông. Tuy nhiên, điều này gây bất kỳ nguy hiểm nào cho con bạn và là một phần của cách lắp đặt đúng!
- **LƯU Ý!** Đảm bảo rằng cả hai kẹp dây đai an toàn trên ghế đều đã đóng.
- **LƯU Ý!** Đảm bảo rằng dây an toàn của ô tô không bị xoắn.

- Khi dây an toàn đã được lắp đúng, các “hình chiếu” khác nhau sẽ như sau:



Danh sách kiểm tra...

Để đảm bảo sự an toàn tối ưu của trẻ, sau khi lắp đặt ghế, hãy kiểm tra một lần nữa rằng ...

- dây an toàn chặt và không bị xoắn,
- phần hông của dây an toàn đi qua các đầu dây màu đỏ và đầu căng dây,
- phần vai (chéo) của dây an toàn được gắn đúng và đi qua hai khe dây, theo các dấu màu đỏ ở mặt sau của Tobi,
- cả hai kẹp dây đều đóng,
- các đầu căng đai ở vị trí căng, thẳng đứng,
- toàn bộ ghế Tobi được lắp đặt an toàn và chắc chắn trong ô tô.

B. Tháo ghế Tobi

- Mở khóa của dây an toàn (11).
- Tiếp theo, mở cả hai kẹp dây an toàn (12).
- Nhả đầu căng dây bằng cách nhấn nút (13). Đầu căng dây bây giờ sẽ chuyển xuống dưới, theo vị trí nằm ngang.
- Tháo dây an toàn khỏi các rãnh (14).
- Lấy ghế Tobi khỏi ô tô.

3. Đặt trẻ vào ghế Tobi

3.1 Sử dụng hệ thống dây an toàn

A. Điều chỉnh độ cao của hệ thống dây an toàn

Trước khi đặt con bạn vào ghế Tobi và khóa đai, trước hết hãy tính chiều cao chính xác của các dây vai và tựa đầu.

- Mở khóa đai (15) bằng cách nhấn nút màu đỏ của khóa đai.
- Các dây vai bây giờ tự động nhả và có thể được kéo dài hơn mà không cần nhấn bất kỳ nút nào khác.
- Nới lỏng các dây vai bằng cách kéo chúng về phía trước càng xa càng tốt (16).
- **LƯU Ý!** Không kéo miếng đệm dây an toàn khi làm như vậy.
- Đặt trẻ ngồi thẳng lưng vào ghế Tobi và kiểm tra chiều cao dây an toàn (17).
- **LƯU Ý!** Chiều cao của các dây vai là chính xác khi dây lọt hẳn vào vỏ ngay phía trên vai của con bạn (18).
- Điều chỉnh chiều cao của các dây vai khi kết hợp với tựa đầu và dựa vào tựa đầu.
- Để di chuyển các dây vai và tựa đầu đến chiều cao cần thiết, nắm tay cầm ở đầu tựa đầu và di chuyển đồng thời về phía trước và hướng lên hoặc xuống (19). Các dây vai gồm có tựa đầu có thể được đặt ở 6 mức chiều cao khác nhau.

B. Đặt trẻ vào ghế Tobi

- Đặt trẻ ngồi thẳng lưng vào ghế Tobi.
- Trượt các phần khóa vào nhau (phần A vào phần B) và chèn các phần khóa này vào khóa đai cho đến khi nghe rõ một tiếng “tách” (20). Khi khóa đã đóng lại, hệ thống dây an toàn sẽ bị chặn và chỉ có thể được kéo chặt hơn. Nếu bạn cần làm dây dài hơn, trước hết phải mở lại khóa.
- Bây giờ kéo chặt hệ thống dây an toàn bằng cách kéo dây điều chỉnh (21,2). Kéo cho đến khi chỉ báo trên khóa đai chuyển sang màu xanh lục (21,2). Nếu chỉ báo vẫn là màu bạc thì dây đai cần được kéo chặt chẽ hơn (22). Đảm bảo rằng chỉ báo là màu xanh lục trước khi lái xe. Nếu dây an toàn có vẻ vẫn còn lỏng lẻo mặc dù báo là màu xanh lục thì dây có thể được kéo chặt hơn. Điều này sẽ đảm bảo sự an toàn tối ưu. Trong khi lái xe, chỉ báo có thể quay lại màu bạc do cử động của trẻ. Điều này là bình thường và không ảnh hưởng đến sự an toàn của trẻ.
- **LƯU Ý!** Các dây an toàn xung quanh trẻ càng chặt thì khả năng bảo vệ càng cao.
- **LƯU Ý!** Đảm bảo rằng mặt có hoa văn (chống trượt) của miếng đệm dây an toàn phải nằm đúng trên vai/ngực của con bạn.
- **LƯU Ý!** Đảm bảo rằng các dây an toàn không bị xoắn hoặc gập đôi.



Luôn sử dụng các miếng đệm dây an toàn vì chúng rất cần thiết cho sự an toàn của con bạn.



Bảo trẻ không được nghịch khóa đai.

3.2 Vị trí ghế (Điều chỉnh ghế vào các vị trí ngồi và nằm)

Ghế Tobi có thể được đặt ở 5 vị trí.

- Kéo tay cầm định vị ở dưới mặt trước của ghế lên trên rồi kéo hoặc đẩy ghế về phía trước hoặc phía sau (23).
- Nhả tay cầm định vị ở vị trí mong muốn và đẩy cho đến khi bạn nghe thấy một tiếng “tách”.
- **LƯU Ý!** Kiểm tra để đảm bảo ghế Tobi đã cố định an toàn ở vị trí mong muốn bằng cách di chuyển ghế.

Danh sách kiểm tra

Để đảm bảo sự an toàn tối ưu của con bạn, hãy kiểm tra trước mỗi chuyến đi để đảm bảo rằng ...

- toàn bộ ghế Tobi được lắp đặt an toàn và chắc chắn trong ô tô,
- chiều cao của các dây vai phù hợp với con bạn,
- các dây không bị xoắn,
- mặt có hoa văn (chống trượt) của miếng đệm dây an toàn phải nằm đúng trên vai/ngực của con bạn,
- trẻ được giữ an toàn trong các dây an toàn, khóa đai đã đóng và chỉ báo là màu xanh lục,
- dây buộc trên ghế Tobi không bị hỏng. Nếu dây buộc bị hỏng, không sử dụng ghế Tobi trong bất kỳ trường hợp nào và liên hệ ngay với nhà cung cấp hoặc nhà nhập khẩu của bạn.

3.3 Bế trẻ ra

- Đặt ghế Tobi ở vị trí ngồi (cũng xem phần 3.2 Vị trí ghế).
- Mở khóa đai bằng cách nhấn nút màu đỏ của khóa đai (24).
- Nới lỏng các dây vai bằng cách kéo chúng về phía trước càng xa càng tốt (25).
- Bế trẻ ra khỏi ghế Tobi.

4. Bảo dưỡng

4.1 General

- **LƯU Ý!** Perform these actions only while the Tobi is outside of the car.
- Use lukewarm water, soap and a cloth to clean the plastic parts of the seat. Do not use any aggressive cleaning agents.
- The fabric parts can be cleaned according to the instructions on the washing label; hand washing in luke-warm water and a mild detergent.
- **LƯU Ý!** Never use lubricants – not even for the moving parts of the Tobi.



4.2 Vải che

Tháo vải che

- 24 25** • Mở khóa đai. Nới lỏng các dây vai bằng cách kéo chúng về phía trước càng xa càng tốt (24, 25).
Mở khuy các vòng đàn hồi khỏi các khuy trên cả hai mặt của tay cầm định vị.
- 26 27** • Tháo cạnh đàn hồi của vải che khỏi các cạnh của vỏ rồi cẩn thận nới lỏng vải che ở phía trước (26, 27).
- Tháo tấm đệm khóa đai bằng cách kéo nó cẩn thận về một bên của khóa đai và hơi nghiêng một góc. Cho vải che đi qua khóa đai (từ sau ra trước).
- Nới lỏng vải che từ các điểm nằm ở cả hai bên vỏ (28).
- Nới lỏng vạt sau của vải che và gấp về phía trước (29).
- Cẩn thận tháo vải che khỏi các bên (30).
- Nới lỏng vải che phía sau các kẹp dây. Vải che này đã được đẩy ra phía sau các kẹp dây ở đây (31,1)
- 31** • Bây giờ kéo cẩn thận vải che qua tựa đầu (31,2).
- Tháo vải che.
- Tháo các miếng đệm của dây vai bằng cách nới lỏng khóa dán và khuy bấm ở bên ngoài (32).
- Tháo dây an toàn phía sau vạt với khóa dán (33).
- 34** • Trượt kẹp khuy ra khỏi vòng của đệm dây an toàn (34).
- 35** • Tháo miếng đệm dây an toàn khỏi lò xo (35).
- Làm như vậy với cả hai miếng đệm.
- Lắp lại như trên, ngoại trừ kẹp, với cả hai miếng đệm dây hông. Các miếng đệm dây hông gắn vào dây bằng khóa dán.
- 36** • Tháo vải bọc tựa đầu bằng cách tháo hai dải đàn hồi khỏi vạt dưới ở dưới phần nhựa (36,1).
- Nới lỏng vải che tựa đầu ở một bên tại một điểm và tháo cẩn thận vải bọc ở bên này của tựa đầu.
- Cẩn thận nới lỏng vải che tựa đầu ở cạnh dưới tay cầm ở đầu tựa đầu.
- 36** • Bây giờ tháo cẩn thận vải che tựa đầu (36,2).

Vệ sinh vải che

- Giặt vải che và các miếng đệm bằng tay (nhiệt độ tối đa 30°C). Không dùng máy sấy. Cũng xem hướng dẫn chăm sóc trên vải che.

Bí quyết: Khi mua Tobi, tốt nhất bạn nên mua thêm một miếng vải che để bạn có thể sử dụng liên tục ngay cả khi vải che đang được giặt và phơi.

Bọc lại vải che

- Lắp lại các bước trên theo thứ tự ngược lại!
- **LƯU Ý!** Trước tiên, gắn các miếng đệm dây an toàn và vải che tựa đầu trước khi bọc lại vải che.
- Trượt hẳn vải che vào các cạnh của vỏ.
- Kiểm tra xem vỏ che đã phủ vừa vặn và cố định an toàn chưa.

4.3 Vệ sinh và sử dụng khóa đai và hệ thống điều chỉnh dây an toàn

Sử dụng đúng cách khóa đai và hệ thống điều chỉnh dây an toàn rất quan trọng với sự an toàn của trẻ. Lý do quan trọng nhất khiến khóa và/hoặc hệ thống điều chỉnh dây an toàn không hoạt động đúng là chúng bị bẩn (do bụi, cát, thức ăn rơi vãi, v.v.). Đảm bảo khóa đai luôn sạch sẽ bằng cách hút bụi. Nếu hệ thống điều chỉnh dây an toàn không hoạt động đúng, hãy liên hệ ngay với nhà cung cấp hoặc nhà nhập khẩu của bạn (xem mặt sau sách hướng dẫn để biết chi tiết liên hệ). Không sử dụng ghế Tobi trong bất kỳ trường hợp nào!

Dưới đây là danh sách các nguyên nhân có thể gây ra hỏng hóc và giải pháp.



A. Trục trục với khóa đai

- Khi mở khóa đai, các phần của khóa nhả ra chậm.
- Khóa đai chỉ có thể mở với lực mạnh.
- Khó bấm các phần của khóa vào khóa (quá rít).
- Khóa không đóng được nữa, các phần của khóa không lắp được vào nhau.
- Không có tiếng “tách” khi đóng khóa.

B. Giải quyết mọi vấn đề

- Kiểm tra khóa xem có bụi bẩn không và nếu cần, làm vệ sinh bằng cách gỡ ra bụi bẩn, rửa, thổi sạch hoặc hút bụi, ví dụ như bằng máy hút bụi.
- **LƯU Ý!** Không bao giờ sử dụng chất bôi trơn!

Nếu bạn không thể đóng khóa đai hoặc nếu bạn không chắc chắn bạn có giải quyết được vấn đề đúng cách không, hãy liên hệ ngay với nhà cung cấp hoặc nhà nhập khẩu của bạn (xem mặt sau sách hướng dẫn sử dụng). Không sử dụng ghế Tobi trong bất kỳ trường hợp nào.

5. Hướng dẫn chung

Luôn chú ý đến những điều sau đây...

- Luôn sử dụng ghế, ngay cả trên các chuyến đi ngắn gần nhà, vì đây là lúc hầu hết các tai nạn thường xảy ra.
- Chỉ sử dụng ghế Tobi trong xe ô tô chứ không phải trong nhà. Ghế ô tô không được thiết kế để sử dụng trong nhà.
- Ghế Tobi có thể được sử dụng ở ghế trước và ghế sau. Ngay cả khi xe được trang bị túi khí! Tuy nhiên, chúng tôi khuyên bạn nên lắp đặt ghế trẻ em vào ghế sau. Nếu điều này không thể thực hiện được, hãy đảm bảo rằng, nếu lắp đặt ở ghế trước được trang bị túi khí thì ghế trẻ em này phải ở vị trí sát lưng ghế xe. Xem hướng dẫn sử dụng của ô tô, vì ngày càng nhiều ô tô có khả năng dễ dàng ngắt túi khí.
- Ghế phải luôn được cố định bằng dây an toàn, ngay cả khi không sử dụng. Ghế lỏng lẻo có thể gây thương tích cho hành khách khác trong trường hợp phanh gấp.
- Đảm bảo rằng ghế Tobi không bị kẹt hay lên bởi hành lý nặng, ghế ngồi có thể điều chỉnh hoặc cửa đóng.
- Không bao giờ sử dụng Tobi mà không có vải bọc. Không thay thế vải bọc gốc bằng loại vải bọc nào khác vì vải bọc góp phần vào sự an toàn của toàn bộ ghế.
- Luôn che phủ lên ghế Tobi khi ô tô đang đỗ dưới ánh nắng trực tiếp; các bộ phận nhựa và kim loại có thể trở nên rất nóng, điều này có thể gây bỏng và có thể làm phai màu vải che.
- Để tránh hư hỏng cho vải, không tháo các logo trên vải bọc.
- Đảm bảo rằng hành lý hay đồ vật được cố định (ví dụ trên kệ phía sau) trong xe. Trong trường hợp phanh gấp hoặc đụng xe, những vật này có thể văng ra và gây nguy hiểm!
- Khi thực hiện hành trình dài, đảm bảo nghỉ giải lao thường xuyên để con bạn có không gian để cử động.
- Tobi được phát triển để sử dụng với cường độ cao trong khoảng 10 năm.
- Chúng tôi khuyên nên thường xuyên kiểm tra các bộ phận bằng polystyrene giãn nở (EPS) xem có hỏng hóc không.
- Không bao giờ để con bạn một mình trong ô tô mà không được coi giữ.
- Giữ sách hướng dẫn sử dụng để tham khảo trong tương lai ở nơi thích hợp phía sau ghế Tobi.
- Không được sử dụng sản phẩm bán lại không rõ nguồn gốc. Một số bộ phận có thể bị gãy, rách hoặc thiếu.
- Người sử dụng không nên thực hiện bất kỳ sửa đổi với ghế ô tô hoặc các dây an toàn. Ngoài ra, các nhãn hoặc cảnh báo, v.v. là một phần của ghế cũng không nên bị tháo ra trong bất kỳ trường hợp nào!
- Thay Tobi khi sản phẩm bị chịu tác động mạnh trong một tai nạn: khi đó, sự an toàn cho con của quý vị không còn được bảo đảm nữa.
- Nhà sản xuất biết rằng ghế ô tô có thể tạo ra vết hằn trên đệm ô tô hoặc dây an toàn của ô tô. Điều này là không thể tránh khỏi, vì các tiêu chuẩn an toàn đòi hỏi các phương thức siết phải chặt và mạnh. Đó là lý do nhà sản xuất không thể chịu trách nhiệm về bất kỳ thiệt hại nào do ghế ô tô trẻ em.

Và tất nhiên ...

- Luôn là một tấm gương tốt và thắt dây an toàn của chính bạn!



6. Phân loại riêng phế phẩm

Để đảm bảo sử dụng tối ưu và an toàn ghế ô tô, không nên sử dụng ghế quá 5 năm kể từ ngày mua. Sự lão hóa nhựa, ví dụ như dưới tác dụng của ánh nắng mặt trời (UV), có thể làm giảm chất lượng của sản phẩm mà không dễ nhận ra ngay.

Khi trẻ lớn lên và không ngồi vừa ghế, do đó chúng tôi khuyên bạn không nên sử dụng ghế ô tô nữa và thải bỏ ghế một cách thích hợp. Vì chúng tôi quan tâm đến môi trường, chúng tôi yêu cầu người sử dụng phân loại riêng phế phẩm được tạo ra ngay từ đầu (khi đóng gói) và khi kết thúc (các bộ phận của sản phẩm) vòng đời của ghế Tobi.



Đảm bảo để vật liệu bao bì bằng nhựa ngoài tầm với của con bạn để tránh nguy cơ ngạt thở.

Đóng gói	Hộp các tông	Rác giấy
	Túi nhựa	Rác tồn dư
Các bộ phận của sản phẩm	Vải che	Rác tồn dư
	Các bộ phận nhựa	Theo đúng đặc tính của thùng chứa thích hợp
	Các bộ phận kim loại	Thùng chứa kim loại
	Dây buộc	Thùng chứa polyeste
	Khóa đai	Rác tồn dư

7. Bảo hành

Chế độ bảo hành 24 tháng thể hiện sự tin tưởng của chúng tôi vào chất lượng cao trong thiết kế, xây dựng, sản xuất và hiệu năng sản phẩm của mình. Chúng tôi xác nhận rằng sản phẩm này đã được sản xuất theo các yêu cầu về an toàn và tiêu chuẩn chất lượng hiện hành của Châu Âu áp dụng đối với sản phẩm này, và rằng sản phẩm này không có khiếm khuyết về nguyên vật liệu và tay nghề chế tạo tại thời điểm mua hàng. Theo các điều kiện được đề cập trong tài liệu này, người tiêu dùng có thể sử dụng bảo hành này ở các quốc gia nơi sản phẩm này được bán bởi đơn vị thành viên thuộc Tập đoàn Dorel hoặc một nhà phân phối hoặc nhà bán lẻ được ủy quyền.

Chế độ bảo hành 24 tháng của chúng tôi áp dụng đối với tất cả khiếm khuyết trong sản xuất về nguyên vật liệu và tay nghề chế tạo khi được sử dụng trong điều kiện thông thường và theo đúng hướng dẫn sử dụng của chúng tôi trong khoảng thời gian 24 tháng kể từ ngày khách hàng là người dùng cuối đầu tiên mua lẻ lần đầu. Để yêu cầu sửa chữa hoặc yêu cầu phụ kiện theo bảo hành của chúng tôi cho các khiếm khuyết về nguyên vật liệu và tay nghề chế tác, quý vị phải đưa ra bằng chứng rằng quý vị đã mua hàng trong vòng 24 tháng trước khi yêu cầu dịch vụ.

Chế độ bảo hành 24 tháng của chúng tôi không áp dụng cho những khiếm khuyết gây ra bởi hao mòn thông thường, hỏng hóc do tai nạn, lạm dụng, sơ suất, hỏa hoạn, tiếp xúc với chất lỏng hay nguyên nhân bên ngoài khác, hỏng hóc do là hậu quả của việc không tuân thủ hướng dẫn sử dụng, hỏng hóc gây ra bởi việc sử dụng cùng với một sản phẩm khác, hỏng hóc gây ra bởi dịch vụ của bất kỳ người nào không được chúng tôi ủy quyền, hoặc nếu sản phẩm bị mất cắp hoặc nếu đã có bất kỳ nhãn hay số hiệu nào bị gỡ khỏi sản phẩm hoặc đã bị thay đổi. Ví dụ về hao mòn thông thường bao gồm bánh xe bị mòn và vải bị sờn do sử dụng thường xuyên và phai màu tự nhiên và hỏng vật liệu do lão hóa thông thường của sản phẩm.

Việc cần làm trong trường hợp có khiếm khuyết:

Nếu phát sinh vấn đề hoặc khiếm khuyết, người đầu tiên quý vị cần liên hệ là nhà phân phối hoặc nhà bán lẻ được ủy quyền mà chúng tôi công nhận. Họ công nhận bảo hành 24 tháng của chúng tôi

(1). Quý vị phải đưa ra bằng chứng rằng quý vị đã mua hàng trong vòng 24 tháng trước khi yêu cầu



dịch vụ. Sẽ dễ dàng nhất nếu quý vị được chúng tôi phê duyệt trước yêu cầu dịch vụ của mình. Nếu quý vị gửi một khiếu nại hợp lệ theo bảo hành này, chúng tôi có thể yêu cầu quý vị gửi trả sản phẩm của mình lại cho nhà phân phối hoặc nhà bán lẻ được ủy quyền mà chúng tôi công nhận hoặc quý vị gửi chuyển sản phẩm cho chúng tôi theo chỉ dẫn của chúng tôi. Chúng tôi sẽ thanh toán phí gửi hàng và phí vận chuyển trả lại nếu tất cả chỉ dẫn được tuân thủ. Hông hóc và/hoặc khiếm khuyết mà không được chi trả bởi chế độ bảo hành của chúng tôi cũng như theo các quyền hợp pháp của người tiêu dùng và/hoặc hỏng hóc và/hoặc khiếm khuyết đối với sản phẩm mà không được chi trả bởi chế độ bảo hành của chúng tôi có thể được xử lý với một mức phí hợp lý.

Quyền của người tiêu dùng:

Người tiêu dùng có quyền hợp pháp theo quy định của pháp luật hiện hành về người tiêu dùng, luật này có thể khác nhau giữa các quốc gia. Quyền của người tiêu dùng theo pháp luật quốc gia hiện hành không bị ảnh hưởng bởi chế độ bảo hành này.

Bảo hành này được cung cấp bởi Dorel Netherlands. Chúng tôi được đăng ký tại Hà Lan với mã công ty 17060920. Địa chỉ giao dịch của chúng tôi là Korendijk 5, 5704 RD Helmond, The Netherlands và địa chỉ bưu chính của chúng tôi là P.O. Box 6071, 5700 ET Helmond, The Netherlands.

Chi tiết về tên và địa chỉ của các đơn vị thành viên khác thuộc Tập đoàn Dorel có thể được thấy trên trang cuối cùng của hướng dẫn này và trên trang web cho nhãn hiệu có liên quan của chúng tôi.

(1) Sản phẩm mua từ nhà bán lẻ hoặc nhà phân phối là bên gỡ bỏ hay thay đổi nhãn mác hoặc số hiệu sẽ được coi là không được hợp lệ. Sản phẩm mua từ nhà bán lẻ không được ủy quyền cũng được coi là không hợp lệ. Không áp dụng chế độ bảo hành cho những sản phẩm này do không thể khẳng định tính xác thực của những sản phẩm này.

8. Câu hỏi

Nếu bạn có bất kỳ câu hỏi nào, vui lòng gọi nhà cung cấp hoặc nhà nhập khẩu của bạn (xem mặt sau của sách hướng dẫn sử dụng). Đảm bảo rằng bạn có trong tay thông tin sau:

- Số seri ở cuối nhãn ECE màu cam/trắng (ở sau ghế Tobi).
- Hãng sản xuất, loại, cấu tạo ô tô và ghế mà ghế Tobi được sử dụng.
- Tuổi (chiều cao) và trọng lượng của con bạn.

A large rectangular area with rounded corners, containing 20 horizontal lines for writing.